



OPERATOR'S MANUAL

Parts Lists and Parts Breakdowns for the 3PGH Series Lathes

JET EQUIPMENT & TOOLS, INC.
A WMH - Walter Meier Holding Company

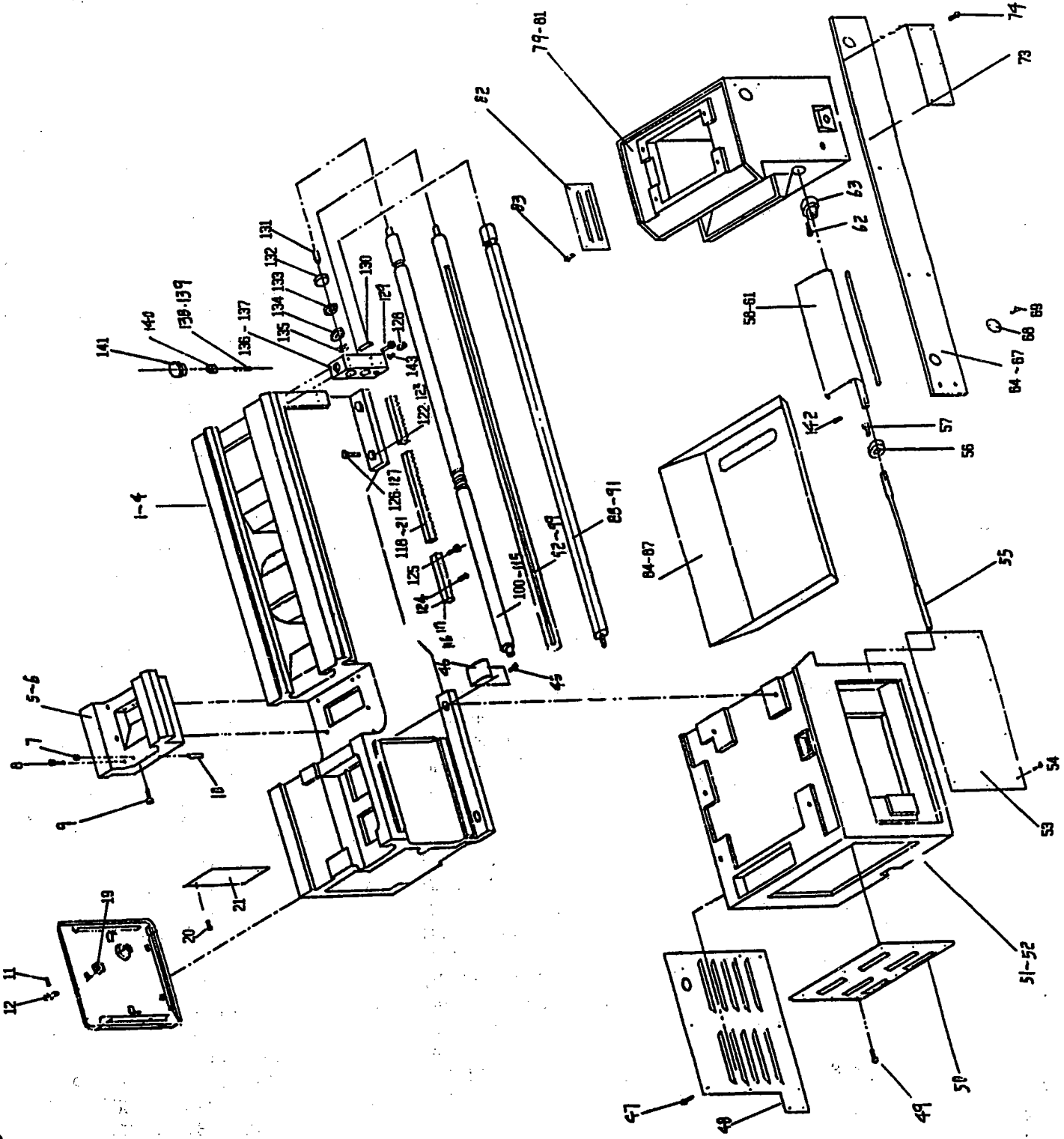
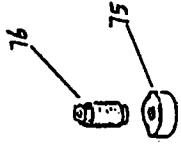
P.O. BOX 1349
Auburn, WA 98071-1349

253-351-6000
Fax 253-939-8001

No. M-321323 3/98

BED ASSEMBLY

1440 3PGH



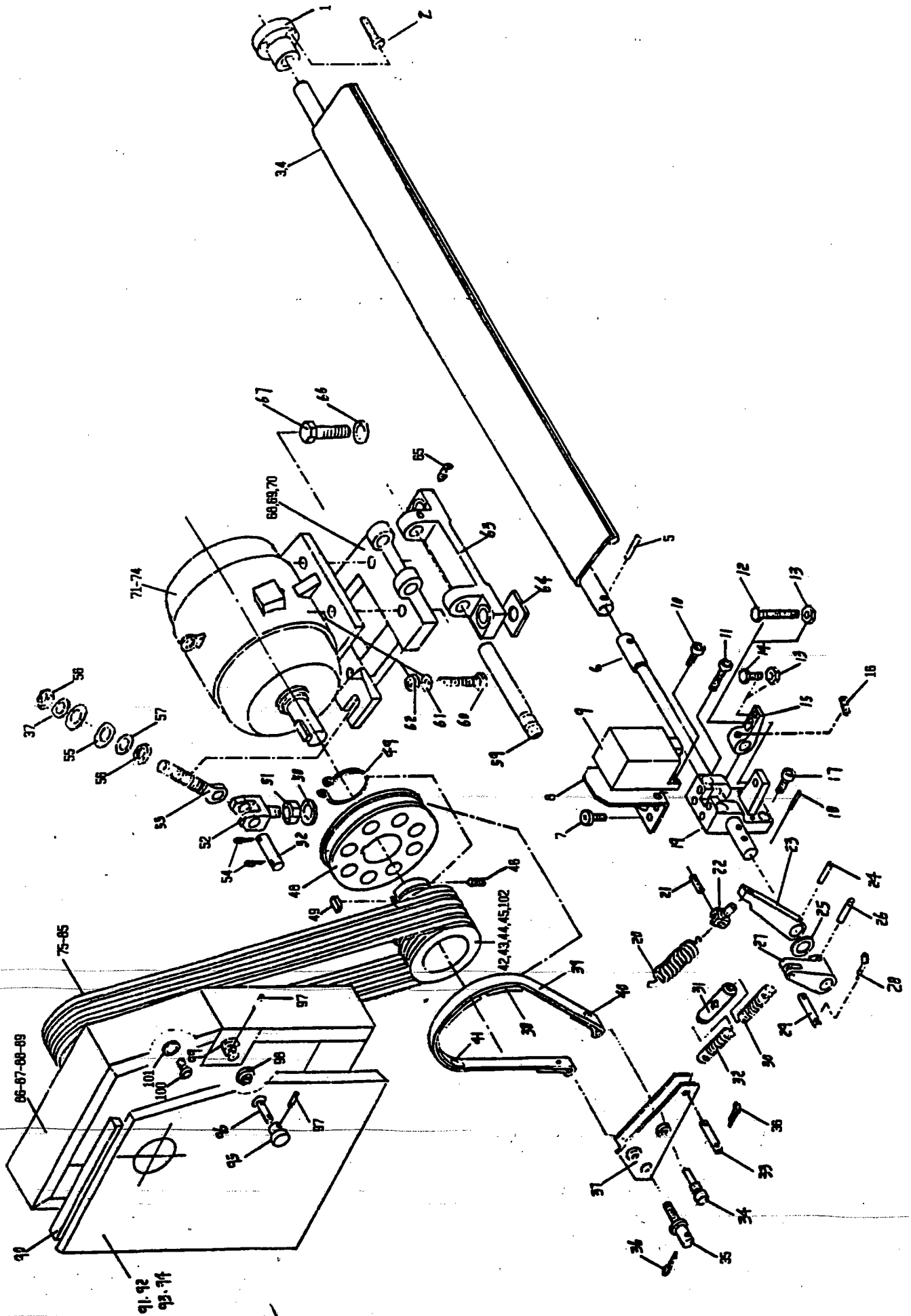
Parts List for the 3PGH Series Lathes

Bed Assembly

Index No.	Part No.	Description	Size	Qty.
1-4	C-0650171	Bed	40"	1
	C-0660181	Bed	60"	1
5	C-0630211	Gap (long)		1
6	C-0160213	Gap (short)		1
7	C-Q56-1	Plug		2
8	TS-1510071	Hex Socket Cap Screw	M16x70	6
9	TS-1510051	Hex Socket Cap Screw	M16x50	4
10	C-GB118-76	Pin	16x60	2
11	C-GB117-76	Pin	4x25	1
12	C-0111911	Small Shaft		1
13	C-0111851	Cabinet Cover		1
19	C-Q73-2	Door Button		1
20	C-GB867-76	Rivet	2x4	4
21	C-0111790	Lubrication Label		1
45	TS-1504021	Hex Socket Cap Screw	M8x12	2
46	C-0111921	Shield		1
47	C-GB819-76	Pan Head Screw	M5x8	10
48	C-0110902	Rear Cover		1
49	C-GB818-76	Pan Head Screw	M5x8	8
50	C-0110911	Side Cover		1
51-52	C-0110191	Front Bed Leg		1
53	C-0110881	Front Cover		1
54	C-GB818-76	Pan Head Screw	M5x8	10
55	C-0110252	Turning Shaft		1
56	C-0110241	Flange		1
57	TS-1503051	Hex Socket Cap Screw	M6x20	2
58-61	C-0540632	Brake Pedal (40" bed)		1
	C-0550643	Brake Pedal (60" bed)		1
62	TS-1503071	Hex Socket Cap Screw	M6x30	3
63	C-0110232	Flange		1
64-67	C-0541712	Apron (40" bed)		1
	C-0551722	Apron (60" bed)		1
68	C-0111680	Cover		2
69	TS-1534032	Pan Head Screw	M6x10	4
73	C-0111931	Jet Plaque		1
74	C-GB867-76	Rivet	2x6	4
75	C-0571963	Spacer		4
76	C-0571952	Screw		4
79-81	C-0570202	Rear Bed Leg		1
82	C-011089	Rear Cover		1
83	C-GB818-76	Pan Head Screw	M5x8	6
84-87	C-054801	Drip Pan (40" bed)		1
	C-0550811	Drip Pan (60" bed)		1
88-91	C-0540490	Control Rod (40" bed)		1
	C-0550500	Control Rod (60" bed)		1
92-99	C-0320450	Feed Rod (40" bed)		1
	C-0360460	Feed Rod (60" bed)		1
100/15	C-0460401	Leadscrew (40" bed)		1
	C-0470421	Leadscrew (60" bed)		1

116/7	C-0480100	Rack	1
118/9	C-0480200	Rack	1
121/2	C-0490100	Rack	1
123	C-0490200	Rack	1
124	C-GB118-76	Taper Pin	8x45
125	TS-1504061	Hex Socket Cap Screw	M8x30
126	TS-1495011	Hex Cap Bolt	M20x50
127	TS-1495031	Hex Cap Bolt	M20x70
128	C-GB78-76	Screw	M20x25
129	TS-1506131	Hex Socket Cap Screw	M12x80
130	C-GB118-76	Taper Pin	2
131	C-GB71-76	Screw	M10x12
132	C-Q56-1	Plug	1
133		Bearing	1
134	C-0282150	Plug	1
135	C-GB894-76	Collar	1
136/7	C-0280220	Rear Bracket	1
138	C-A31-8	Copper Pipe	1
139	C-A86-2	Wool	1
140	C-0112130	Oil Cup	1
141	C-0112140	Cover	1
142	C-GB117-76	Pin	1
143	TS-1524051	Set Screw	1

BRAKE ASSEMBLY

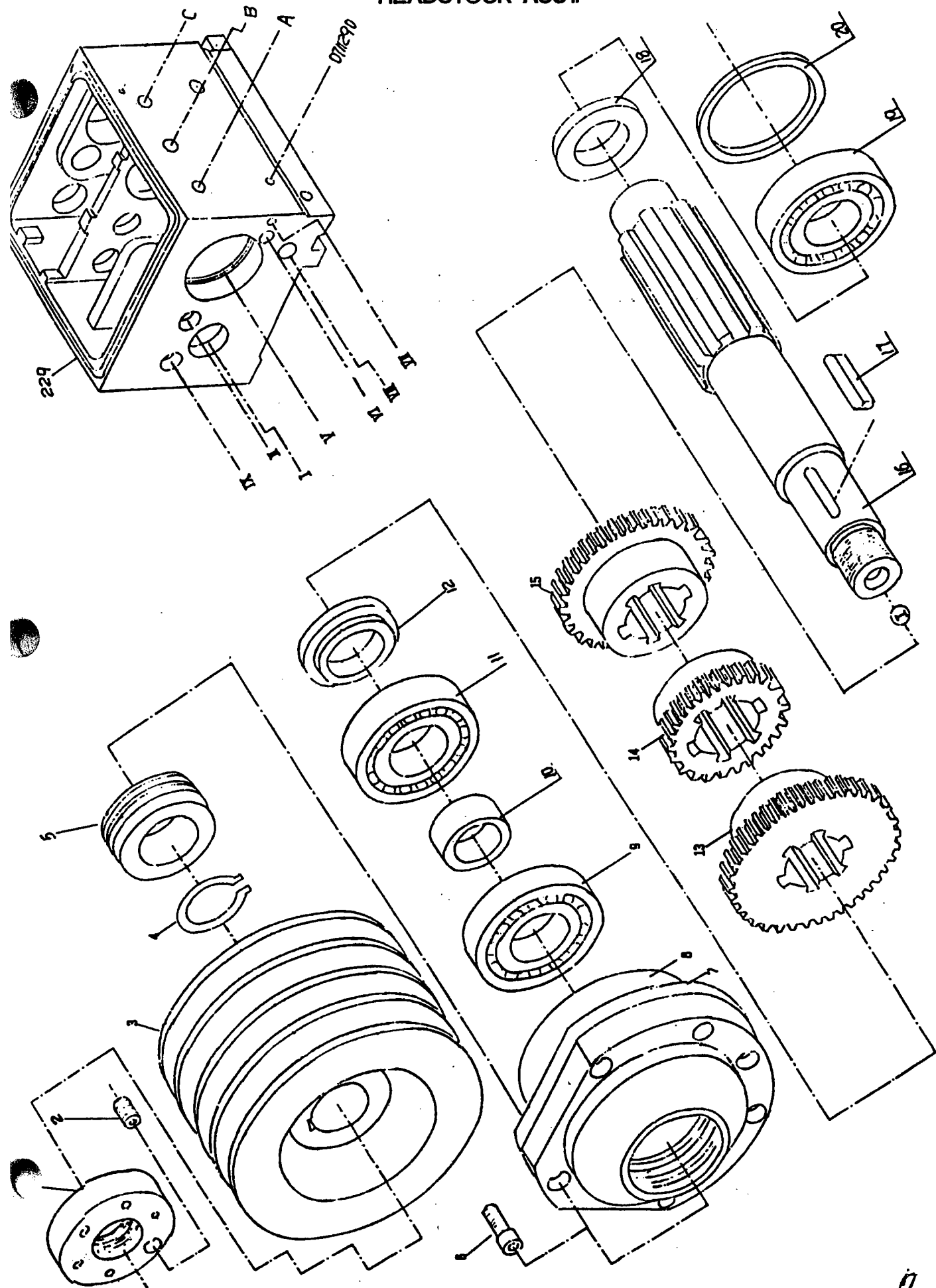


Brake Assembly

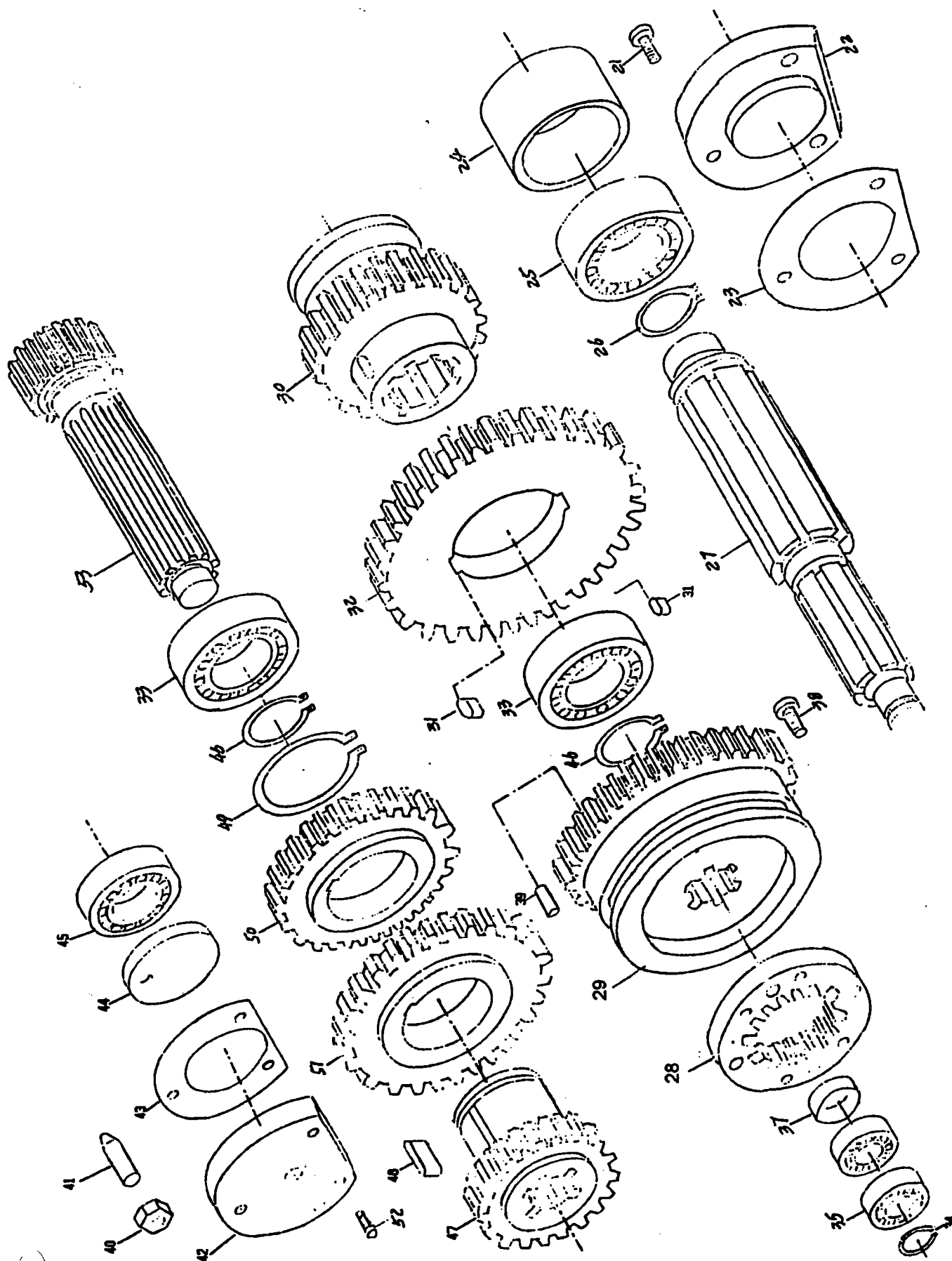
1	C-0110232	Flange		1
2		Screw (not for JET lathes)		1
3-4	C-0540633	Brake Pedal (40" bed)		3
	C-0550643	Brake Pedal (60" bed)		1
5	GB117-76	Taper Pin		1
6	C-0110252	Shaft		1
7	TS-1534042	Pan Head Screw	M6x12	1
8	C-0111530	Switch Mounting Plate		4
9	C-JLXK-411	Switch		1
10	TS-1503031	Hex Socket Cap Screw	M6x12	1
11	TS-1503091	Hex Socket Cap Screw	M6x40	2
12	C-0111460	Screw		2
13	TS-1540061	Nut	M8	1
14	TS-1490021	Hex Cap Bolt	M8x16	1
15	C-0111470	Lever		1
16	TS-1534031	Set Screw	M8x12	1
17	TS-1504051	Hex Socket Cap Screw	M8x25	1
18	C-GB118-76	Pin	M8x25	4
19	C-0111452	Base		2
20	C-Q81-3A	Spring		1
21	C-GB119-76	Pin		1
22	C-0111520	Spring Base		1
23	C-0111501	Draw Rod		1
24	C-G3117-76	Pin	6x32	1
25	C-0111510	Washer		1
26	C-GB117-76	Pin	6x28	1
27	C-0111482	Swing Lever		1
28	C-GB91-76	Split Pin	2.5x10	1
29	C-0111580	Shaft		2
30	C-0111491	Worm		1
31	C-0111442	Screw Lever		1
32	C-0111561	Worm		1
33	C-0111570	Shaft		1
34	C-0111402	Worm		1
35	C-0111392	Shaft		1
36	C-GB91-76	Split Pin	3x16	1
37	C-0111410	Foot Pedal Linkage		2
38	C-0111371	Brake Band		1
39	C-0111382	Steel Band		1
40	C-GB867-76	Rivet		1
41	C-GB869-76	Bolt		2
42-45	C-4142110	Pulley		2
46	C-GB78-76	Set Screw	M12x25	1
47	C-GB1096-76	Key	8x20	1
48	C-4010921	Brake Plate		1
49	C-GB894-76	C-Ring		1
50	TS-1550111	Washer	M20	1
51	TS-1540221	Nut	M20	1
52	C-4011331	Bolt		1
53	C-4011321	Shaft		1
54	C-GB91-76	Split Pin	3x40	1
55	C-4011311	Bolt		2
56	TS-1540221	Nut	M20	1
57	TS-1550111	Washer	M20	2
58	C-GB97-76	Washer	M20	2
				1

59	C-4011361	Shaft		1
60	C-GB21-76	Hex Cap Bolt	M12x16	1
61	TS-1561061	Lock Washer	M12	1
62	TS-1540081	Nut	M12	1
63	C-4011351	Support		1
64	C-4011341	Washer		2
65	TS-1525041	Set Screw	M10x20	1
66	C-GB97-76	Spacer		4
67	TS-1495021	Hex Cap Bolt	M20x60	4
68-70	C-4042110	Motor Bracket		1
71-74	C-Y132S-4	Motor		1
75-85	VB-B59	V-Belt (1440)		1
	VB-B71	V-Belt (1660)		1
	VB-B76	V-Belt (1860)		1
86-89	C-4071181	Gear Cover Body (1440)		1
	C-4081191	Gear Cover Body (1660)		1
	C-4091201	Gear Cover Body (1860)		1
90	C-A8601	Wool Felt Gasket		1
91-94	C-4070960	Gear Cover Door (1440)		1
	C-4080970	Gear Cover Door (1660)		1
	C-4090980	Gear Cover Door (1860)		1
95	C-Z64-1	Lever		1
96	C-4010950	Shaft		1
97	C-GB11776318	Pin	3x18	1
98	C-Z91-2	Insert Ring		1
99	C-Q73-2	Door Button		1
100	TS-1504021	Hex Socket Cap Screw	M8x12	6
101	TS-1550061	Washer	M8	6
102	C-4022110	Pulley (not on JET lathes)		1

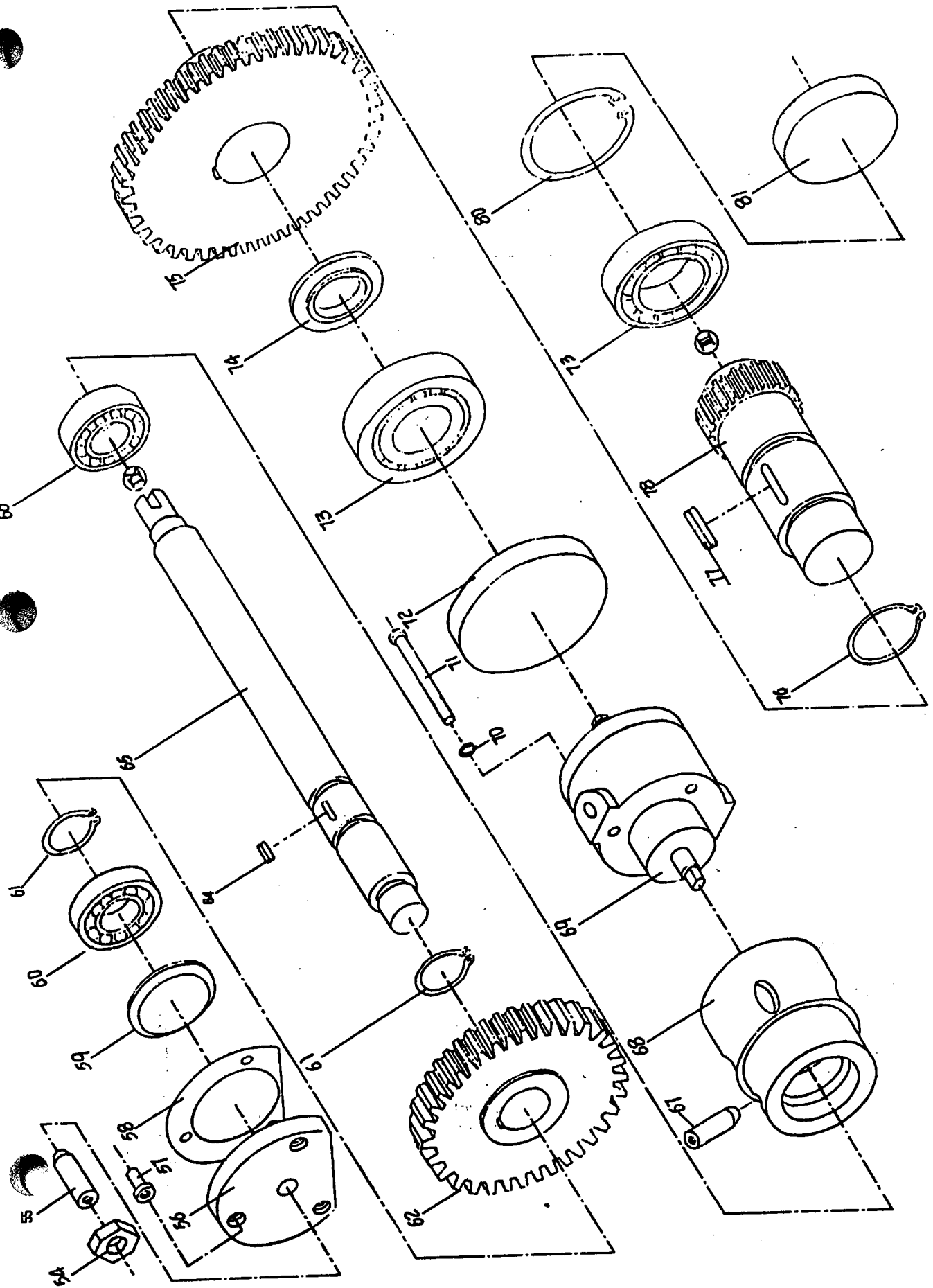
HEADSTOCK ASSY.



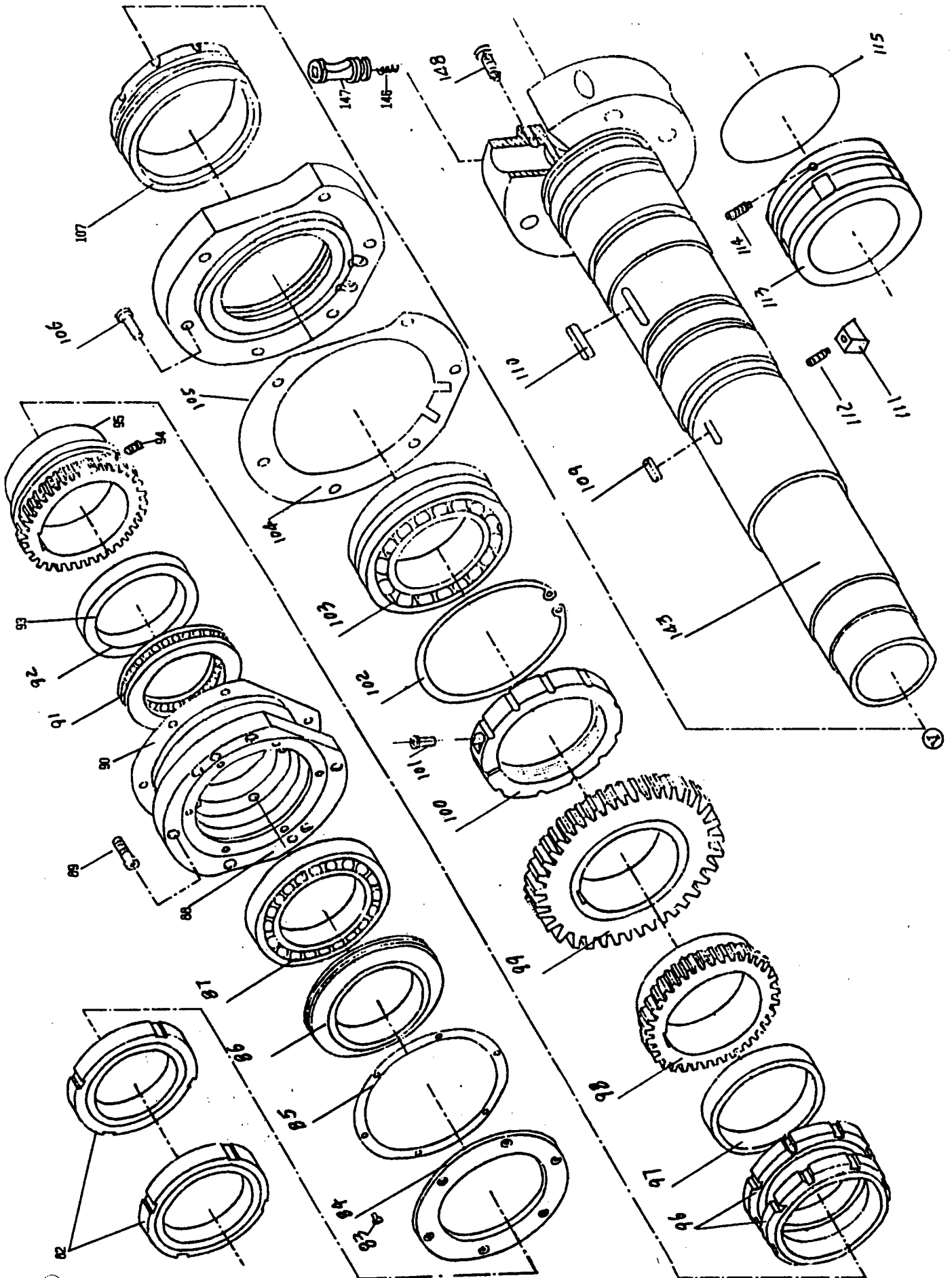
HEADSTOCK ASSY.



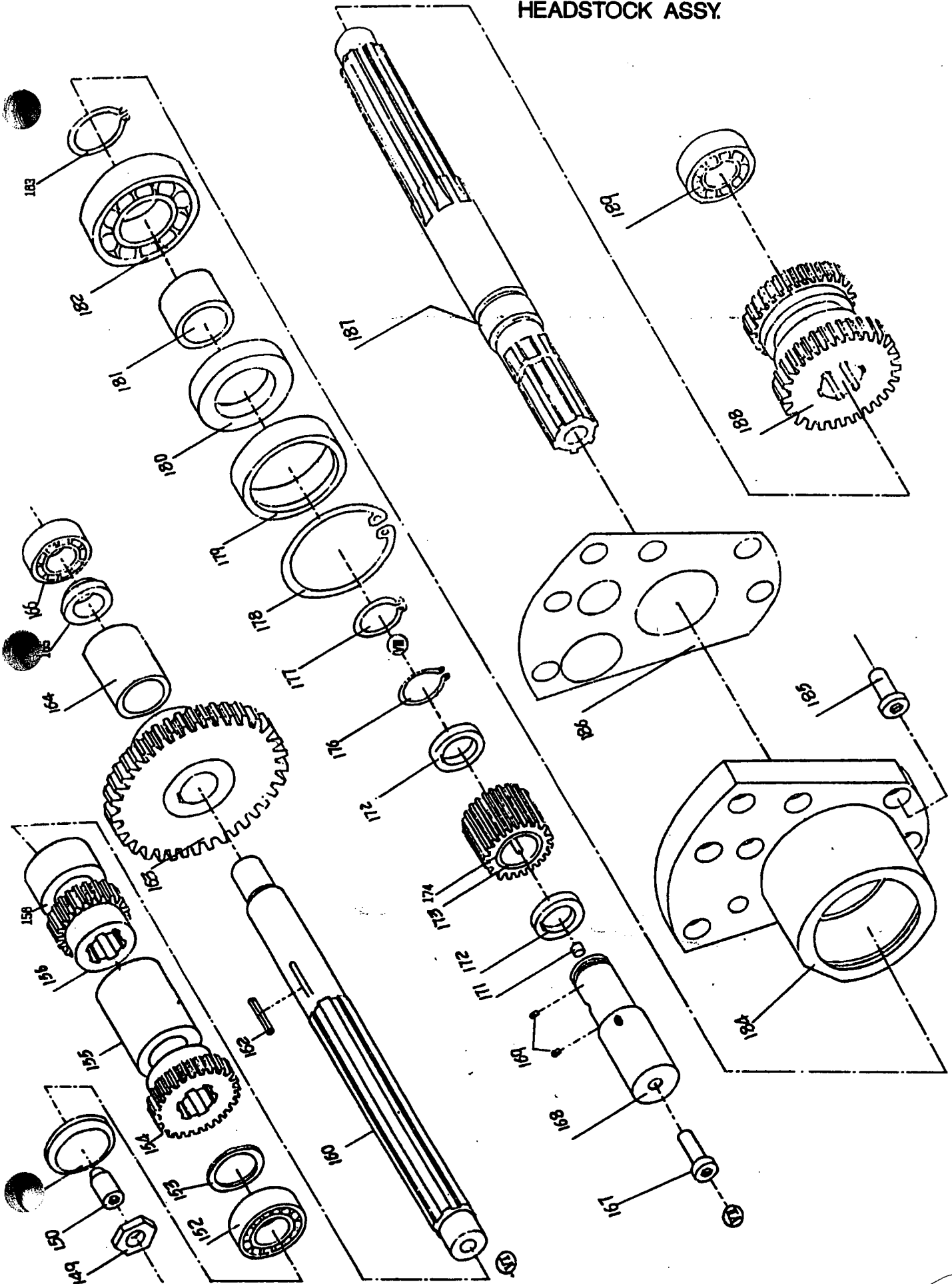
HEADSTOCK ASSY.



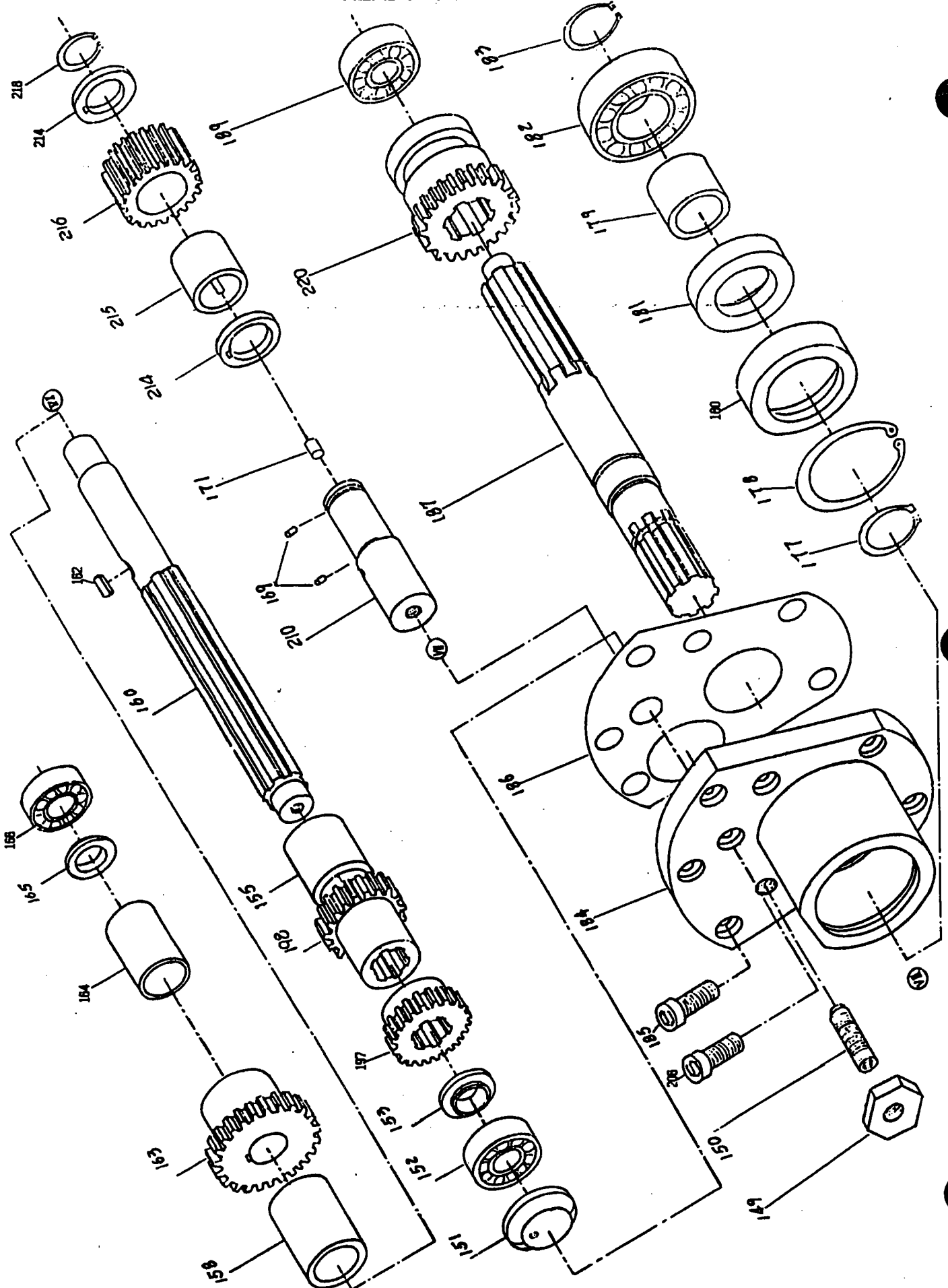
HEADSTOCK ASSY.



HEADSTOCK ASSY.



HEADSTOCK ASSY.



Headstock Assembly

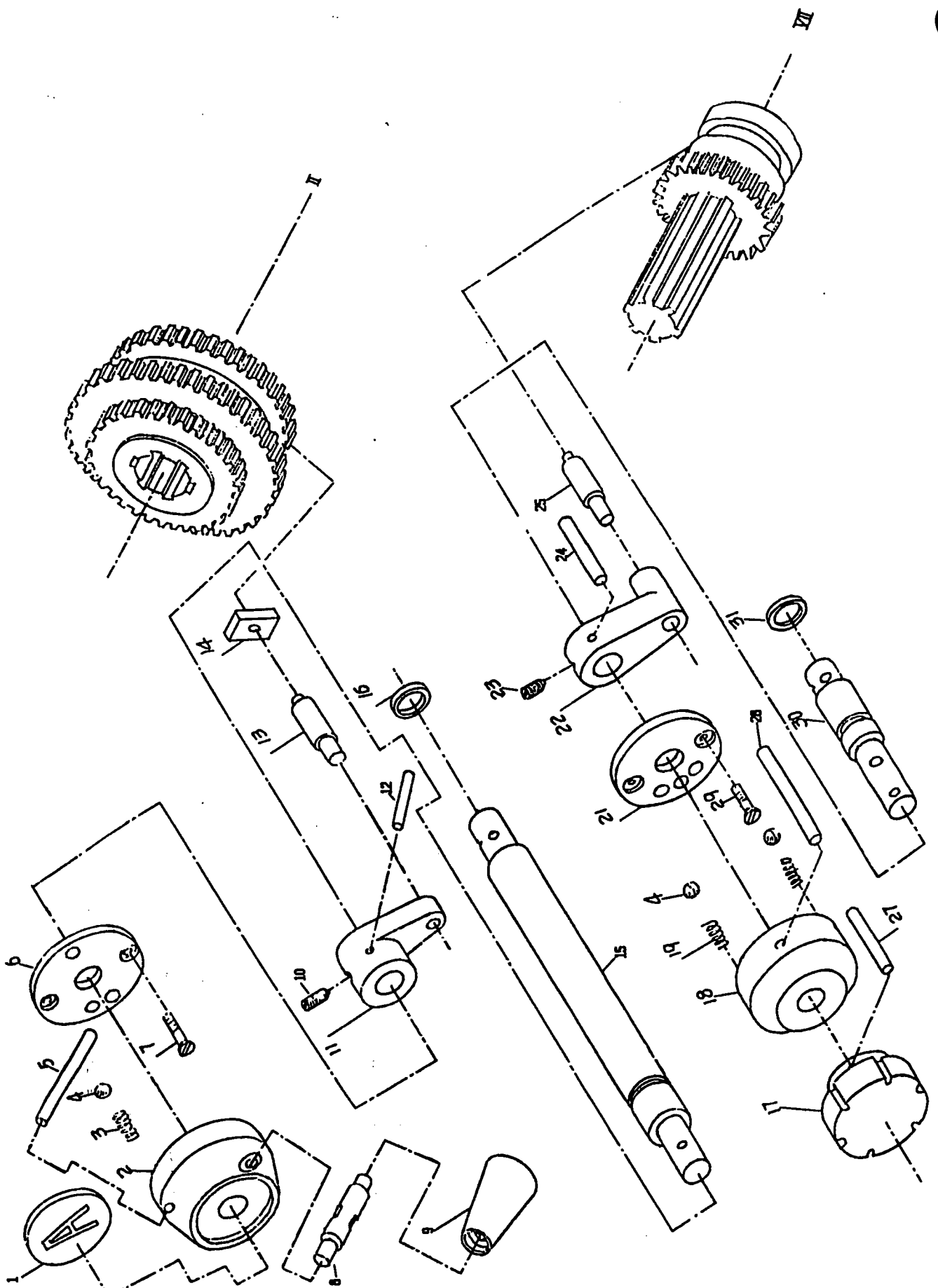
1	C-0710290	Nut		1
2	TS-1525021	Set Screw	M10x12	6
3	C-0921670	Pulley		1
4	C-GB894-76	C-Ring	35	1
5	C-0710310	Bushing		1
6	TS-1504041	Hex Socket Cap Screw	M8x20	6
7	C-0710280	Paper Pad		1
8	C-0710270	Bearing Base		1
9	C-207	Bearing		1
10	C-Q43-1	Shaft Sleeve		1
11	C-207	Bearing	35x72x17	1
12	C-0710801	Washer		1
13	C-0710891	Gear	P=2.5,T=39	1
14	C-0710821	Gear	P=2.5,T=27	1
15	C-0710811	Gear	P=2.5,T=33	1
16	C-0710301	Shaft I		1
17	C-GB1096-72	Key	8x35	1
18	C-0711870	Washer		1
19	C-306	Bearing	30x72x19	1
20	C-0711780	Washer		1
21	TS-1504031	Hex Socket Cap Screw	M8x16	1
22	C-0710720	Flange		1
23	C-0710730	Paper Pad		1
24	C-Q43-1	Sleeve		1
25	C-206	Bearing	30x62x16	1
26	C-GB894-76	Shaft Collar		1
27	C-0710712	Shaft IV		1
28	C-0710762	Gear	P=2.5,T=19	1
29	C-0710772	Gear	P=2.5,T=52	1
30	C-0820751	Gear	P=3,T=25	1
31	C-C711760	Key		1
32	C-0820751	Gear	P=3,T=47	1
33	C-206	Bearing	30x62x16	1
34	C-GB894-76	C-Ring	17	1
35	C-1000903	Bearing	17x30x7	1
37	C-Q43-1	Sleeve	17x22x4	1
38	TS-1534092	Pan Head Screw	M6x35	1
39	C-GB117-76	Pin	6x32	1
40	TS-1540071	Nut	M10	1
41	C-GB78-76	Screw	M10x30	1
42	C-0710320	Flange		1
43	C-0710330	Gasket		1
44	C-Q55-8	Overlap	47	1
45	C-204	Bearing	20x47x14	1
46	CGB894-76	C-Ring	30	1
47	C-0710391	Gear	P=2.5,T=32	1
48	C-GB1090-72	Key	8x28	1
49	C-GB894-76	C-Ring	50	1
50	C-0710401	Gear	P=2.5,T=38	1
51	C-0710411	Gear	P=2.5,T=44	1
52	TS-1503031	Hex Socket Cap Screw	M6x12	1
53	C-0710381	Shaft II		1
54	TS-1540071	Nut	M10	1
55	C-GB78-76	Screw	M10x30	3
56	C-0710240	Flange		1

57	TS-1503031	Hex Socket Cap Screw	M6x12	3
58	C-0710250	Gasket		1
59	C-Q55-8	Retaining Ring	47	1
60	C-204	Bearing	20x47x14	1
61	C-GB894-75	Shaft Collar	25	2
62	C-0711230	Gear	P=2.5,T=43	1
64	C-GB1096-79	Key	6x16	1
65	C-0712120	Shaft IX		1
66	C-104	Bearing	20x42x12	1
67	C-GB78-75	Screw	M10x30	1
68	C-0712080	Sleeve		1
69	C-KBBY-3-28	Oil Pump		1
70	C-GB93-76	C-Clip	6	1
71	TS-1503131	Hex Socket Cap Screw	M6x60	1
72	C-0712210	Plug		1
73	C-207	Bearing	35x72x17	1
74	C-0710802	Sleeve		1
75	C-0710792	Gear	P=2.5,T=52	1
76	C-GB894-76	C-Clip	40	1
77	C-GB1096-72	Key	12x28	1
78	C-0710782	Shaft III	P=2.5,T=19	1
80	C-GB893-76	C-Ring	72	1
81	C-Q56-1	Plug		1
82	C-0820361	Nut		2
83	TS-1503021	Hex Socket Cap Screw	M6x10	6
84	C-0820430	Cover		1
85	C-0820440	Gasket		1
86	C-0820371	Bushing		1
87	C-D46120	Bearing	100x150x24	1
88	C-0820340	Flange		1
89	TS-1504061	Hex Socket Cap Screw	M8x30	1
90	C-0820350	Gasket		1
91	C-D8120	Bearing	100x135x25	1
92	C-0820420	Bushing		1
93	C-0831711	Gear	P=2.25,T=60	1
94	TS-1524041	Set Screw	M8x16	1
95	C-L1x420	Steel Wire		1
96	C-0820601	Nut		2
97	C-0820610	Bushing		1
98	C-0820621	Gear	P=3,T=47	1
99	C-0820631	Gear	P=3,T=69	1
100	C-0820641	Nut		1
101	TS-1504051	Hex Socket Cap Screw	M8x25	1
102	C-GB893-76	C-Ring	180	1
103	C-C3182124K	Bearing	120x180x46	1
104	C-0820660	Gasket		1
105	C-0820650	Flange		1
106	TS-1504051	Hex Socket Cap Screw	M8x25	6
107	C-0820670	Nut		1
109	C-GB1096-79	Key	12x32	1
110	C-GB1096-79	Key	16x50	1
111	C-0712190	Balance Block		1
112	TS-1523051	Set Screw	M6x16	1
113	C-0712180	Balance Sleeve		1
114	TS-1524041	Set Screw	M6x10	1
115	C-A19-1	Steel Wire		1
143	C-0860210	Shaft V		1

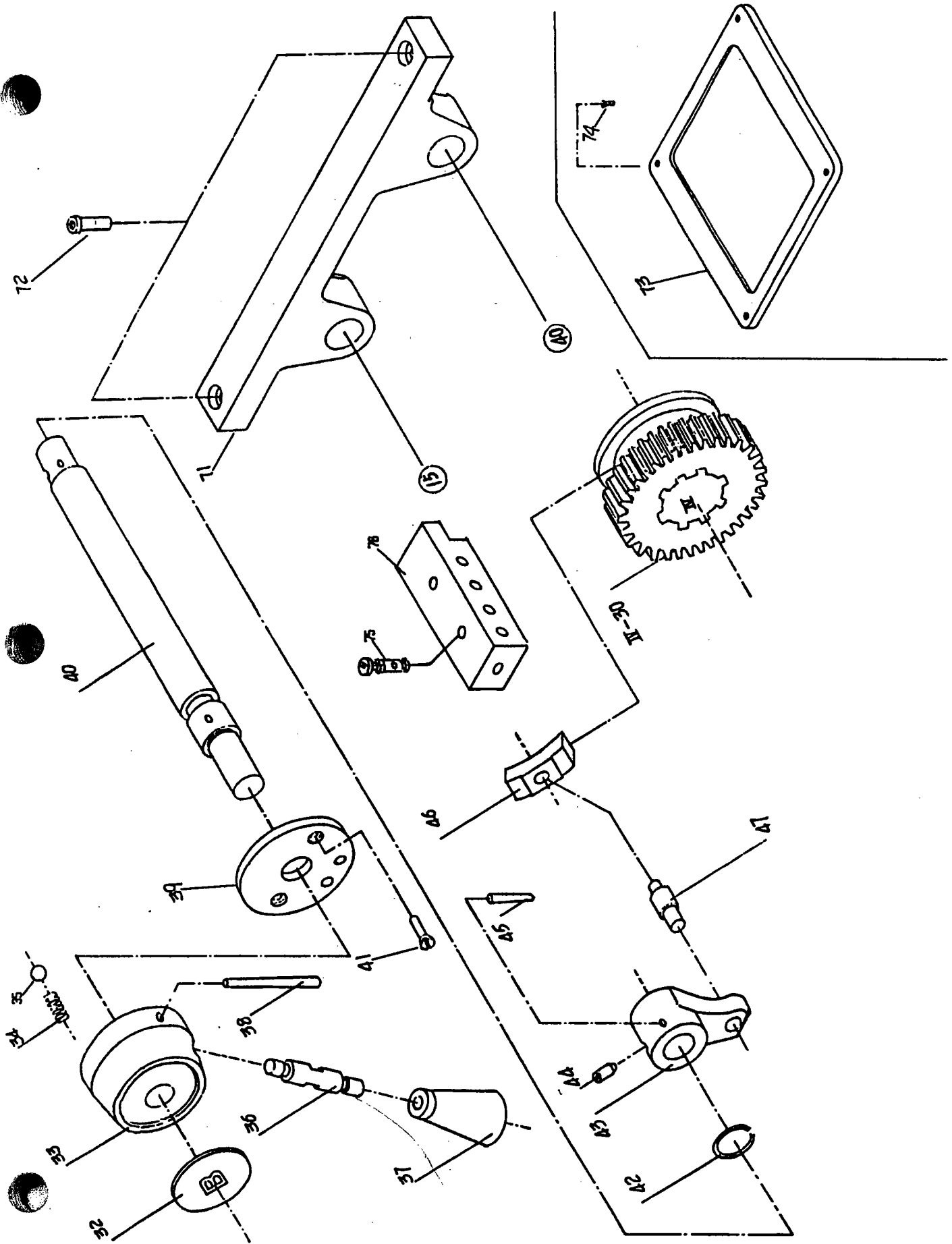


146	C-Q81-1A	Spring		1
147	C-0860681	Lock Block		1
148	C-0860690	Screw	M10	1
149	TS-1540071	Nut	M10x35	1
150	C-GB78-76	Screw		1
151	C-Q55-8	Overlap	17x40x12	1
152	C-203	Bearing		1
153	C-0710582	Spacer	P=1.75,T=26	1
154	C-0810982	Gear		1
155	C-0711752	Spacing Collar	P=1.5,T=26	1
156	C-0811022	Gear	25x32x40	1
158	C-Q43-1A	Spacing Collar		1
160	C-0710452	Shaft VI	5x32	1
162	C-GB1096-76	Key	P=2.25,T=42	1
163	C-0811033	Gear	20x26x40	1
164	C-Q43-1B	Bushing		1
165	C-0711770	Washer	15x35x11	1
166	C-202	Bearing	M6x20	1
167	C-GB70-76	Screw		1
168	C-0810971	Shaft VII	3M6.6	1
169	C-GB119-76	Pin	5M6.8	1
171	C-GB119-76	Pin		1
172	C-0811000	Washer		1
173	C-Q41-1	Copper Sleeve	P=1.75,T=22	1
174	C-0810991	Gear	18	1
176	C-GB894-76	C-Clip	28	1
177	C-GB894-76	C-Clip	62	1
178	C-GB893-76	C-Clip		1
179	C-0710490	Sleeve		1
180	C-0710500	Bushing	35x55	1
181	C-G51-4	Oil Seal	30x62x16	1
182	C-206	Bearing	30	1
183	GB894-76	C-Ring		1
184	C-0710510	Flange		1
185	TS-1503051	Hex Socket Cap Screw	M6x20	1
186	C-0710520	Gasket		1
187	C-0811190	Shaft VIII		1
188	C-0811012	Gear (M1=1.75,Z1=38,M2=1.5,Z2=38)		1
189	C-203	Bearing	17x40x12	1
190-229		Not for JET lathes		

HEADSTOCK CONTROL ASSY.



HEADSTOCK CONTROL ASSY

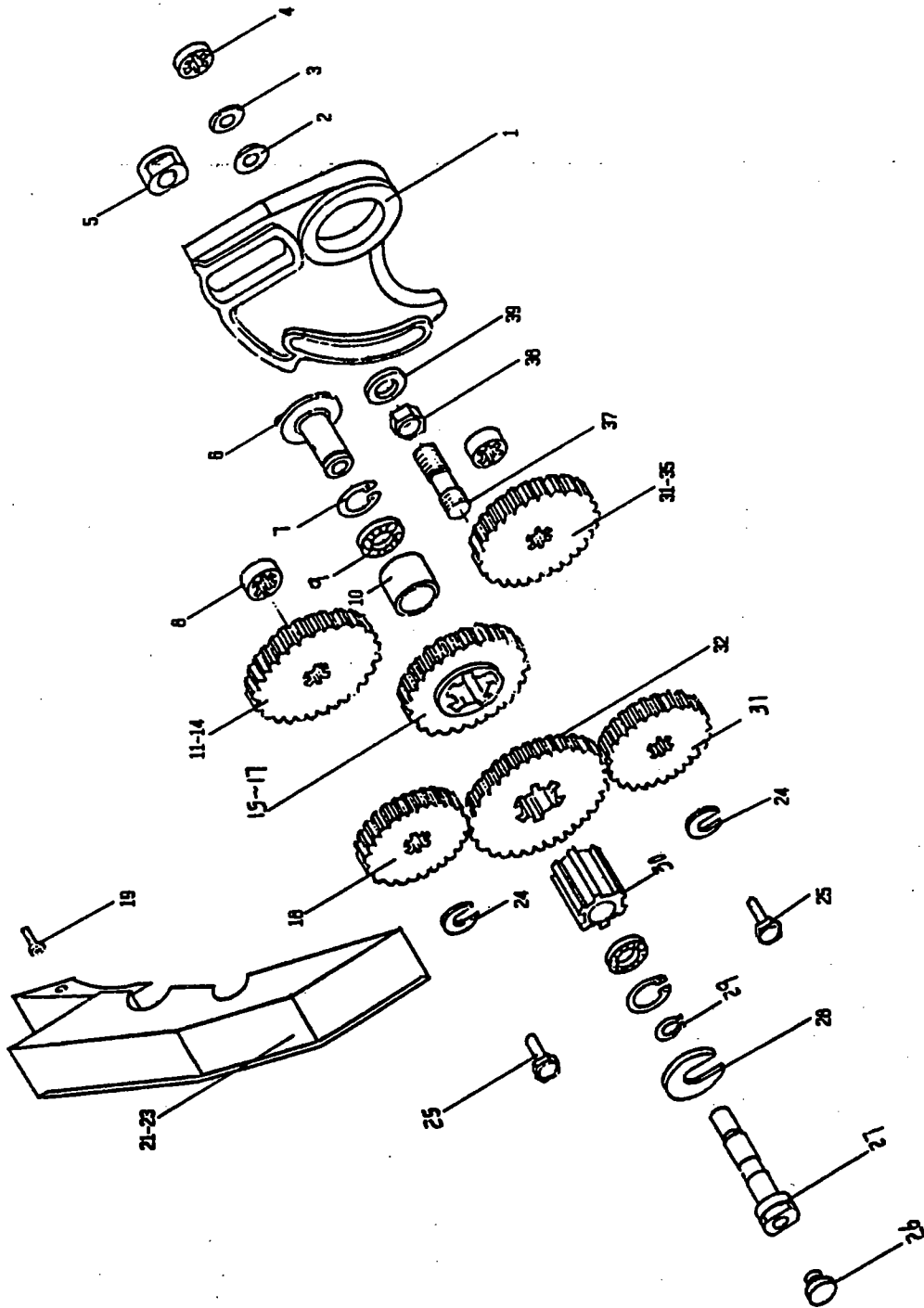


Headstock Control Assembly

1	C-0711341	Label	1
2	C-0711260	Lever Base	3
3	C-Q81-1A	Spring	3
4	C-Q29-1	Steel Ball	9
5	C-GB117-76	Pin	6x60
6	C-0712130	Pad	3
7	TS-1534041	Screw	M6x12
8	C-0711501	Lever	3
9	C-0711510	Lever Knob	3
10	TS-1523041	Set Screw	M6x12
11	C-0711380	Shifting Arm	1
12	C-GB117-76	Pin	6X30
13	C-0711390	Shaft	1
14	C-Q99-1	Slide Block	2
15	C-0711282	Shaft	1
16	C-G51-9	Oil Seal	1
17	C-0711291	Lever	1
18	C-0711300	Lever Base	1
19	C-Q81-1A	Spring	2
21	C-0711270	Plate	1
22	C-0711330	Shifter Arm	1
23	TS-1523041	Set Screw	M6X12
24	C-GB117-76	Pin	6x30
25	C-0711320	Shaft	1
27	C-GB117-76	Pin	4x40
28	C-GB117-76	Pin	6x60
29	TS-1534041	Screw	M6x12
30	C-0711310	Shaft	1
31	C-G51-9	Oil Seal	1
32	C-0711790	Label	1
33	C-0711261	Lever Base	1
34	C-Q81-1	Spring	1
35	C-Q29-1	Steel Ball	9
36	C-0711501	Lever	1
37	C-0711510	Lever Knob	1
38	C-GB117-76	Pin	6x60
39	C-0711730	Plate	1
40	C-0721282	Shaft	1
41	TS-1534041	Screw	M6x12
42		Not on JET lathes	
43	C-0711400	Shift Link	1
44	TS-1523041	Set Screw	M6x12
45	C-GB117-76	Pin	6x30
46	C-0711850	Block	1
47	C-0711410	Shaft	1
48	C-0711800	Label	1
49	C-0711490	Handle Base	1
50	C-0711720	Position Pad	1
55	TS-1524011	Set Screw	M8x8
56	C-0711480	Shaft	1
57	C-0711530	Block	1
58	C-GB119-76	Pin	1
59	C-0711540	Driving Fork	1
61	C-56-1	Plug	1
62	C-0711450	Shaft	1

63	TS-1524011	Set Screw	M8x12	1
64	C-GB117-76	Pin	6x25	1
66	C-G51-9	Oil Seal		1
67	C-0711460	Shift Arm		1
68	C-0711740	Shaft		1
70	C-GB117-76	Pin	5x25	1
71	C-0711702	Hanger		1
72	TS-1503051	Hex Socket Cap Screw	M6x20	2
73	C-0710230	Headstock Cover	M10x25	1
74	TS-1505031	Hex Socket Cap Screw		4
75	C-0711692	Oiler		1
76	C-0712110	Oil Valve		1

CHANGE GEAR ASSEMBLY



Change Gear Assembly

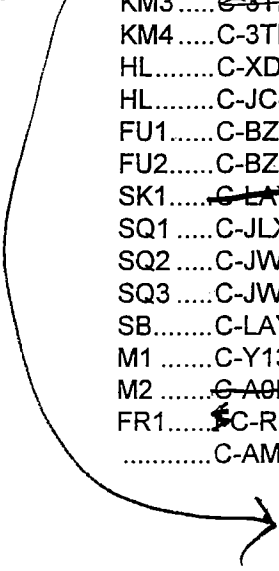
1	C-1510115	Change Gear Holder		
2	C-GB849-76	Ball Face Washer	20	
3	C-GB850-76	Ball Face Washer	20	
4	C-1510250	Sleeve		
5	C-1510230	Press Block		
6	C-1610210	Sleeve		
7	C-GB8937630	Snap Ring	47	
8	C-1510415	Bushing		
9	BB-6906VV	Ball Bearing	30x47x9	
10	C-Q43-1	Sleeve	60x70x14	
11	C-1510191	Gear	P=2.5, T=60	
12-14	C-1510400	Gear (1440/1660)	P=2, T=29	
	C-1530405	Gear(860)	P=2.25, T=29	
15-17	C-1610150	Gear (1440/1660)	P=2.5, T=54	
	C-1630140	Gear (1860)	P=2.25, T=82	
18	C-1510181	Gear	P=2, T=58	
19	TS-1504021	Hex Socket Cap Screw	M8x12	
20-23	C-1510266	Change Gear Cover (1440)		
	C-1520266	Change Gear Cover (1660)		
	C-1530266	Change Gear Cover (1860)		
24	C-J51-3	Split Washer	12	
25	C-GB21-76	Screw	M12x16	
26	C-1510160	Plug		
27	C-1510220	Shaft		
28	C-1610170	Washer		
29	GB894-76	Washer	30	
30	C-1610201	Sleeve		
31	C-1510121	Gear	P=2, T=60	
32	C-1610140	Gear	P=2, T=82	
33	C-1510131	Gear	P=2.5, T=56	
34	C-1510380	Gear	P=2.5, T=52	
35	C-1510390	Gear	P=2.5, T=46	
37	C-GB898-76	Stud Bolt	M20x70	
38	TS-1540221	Nut	M20	
39	TS-1510240	Washer	M20	

3 PGH

Electrical Panel

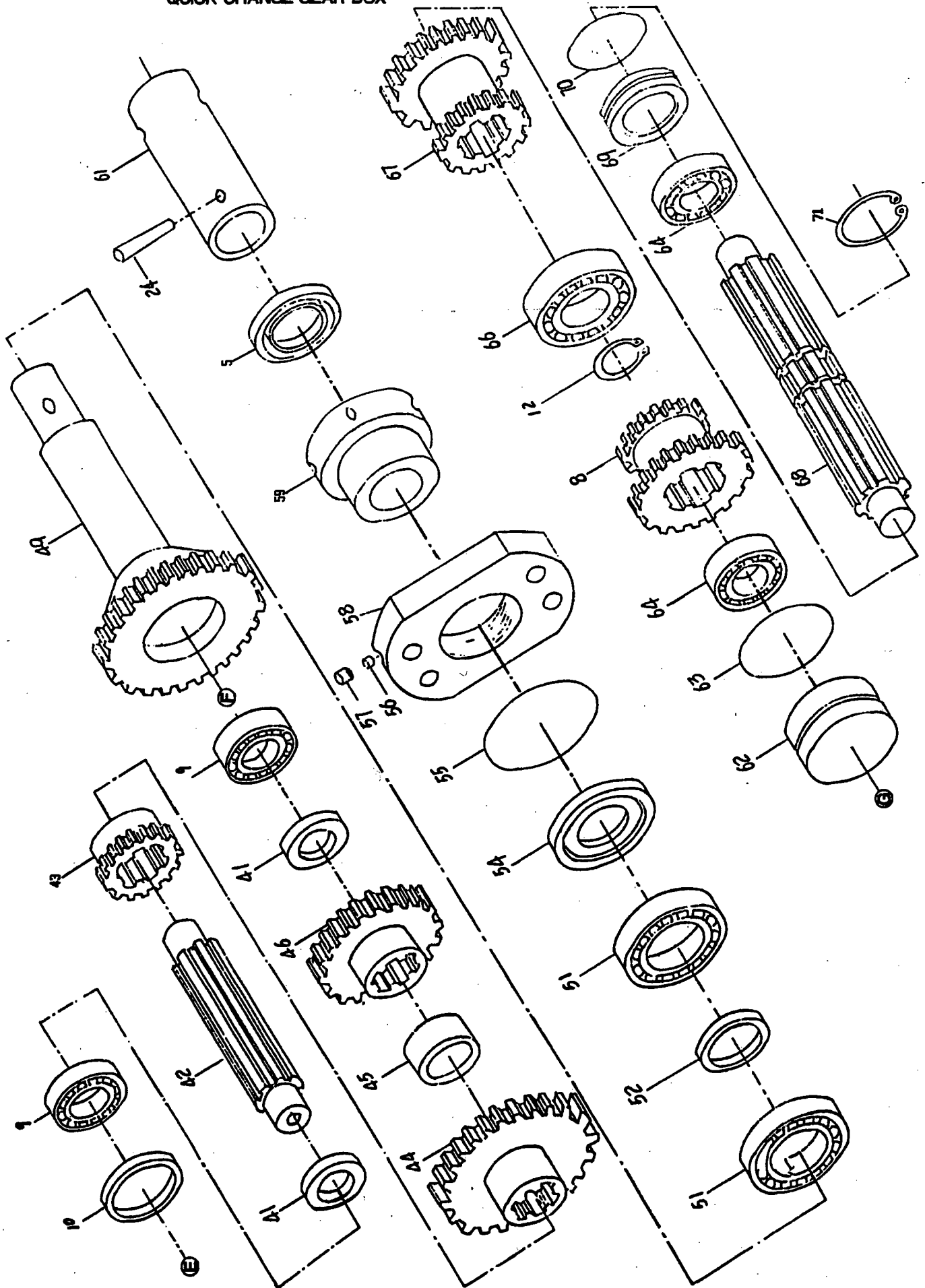
QF	C-AM2-40TH	Main On-Off Switch	32A	1
TC	C-BK-150/160	Transformer	0AG1	1
KM1	C-3TB4317-1	Forward Magnetic Starter	0AG1	1
KM2	C-3TB4317-2	Reverse Magnetic Starter	0AG1	1
KM3	C-3TH8040 C-3TH8040	Coolant Pump Magnetic Starter	0EG1	1
KM4	C-3TH8040	Magnetic Controller	0EG1	1
HL	C-XDX1-W	Power Indicator	24V	1
HL	C-JC-11TH	Work Light	110V	1
FU1	C-BZ003ATH	Fuse	3A	1
FU2	C-BZ001ATH	Fuse	1A	1
SK1	C-LAY3-01ZS/1	Button	LAY3-01ZS/1	1
SQ1	C-JLXK-411	Emergency		1
SQ2	C-JW2-11Z/3TH	Forward Micro Switch		1
SQ3	C-JW2-11Z/3TH	Reverse Micro Switch	TC-LXW3N FOR AFT 95	1
SB	C-LAY3-01ZS/1	Foot Brake		1
M1	C-Y132S-4TH	Main Motor		1
M2	C-A0B-25TH CP-10	Coolant Pump Motor		1
FR1	C-RCA3737A MELH73	Thermal Relay	C-RCA3737A	1
	C-AM130	Main Power Switch		1

SAME

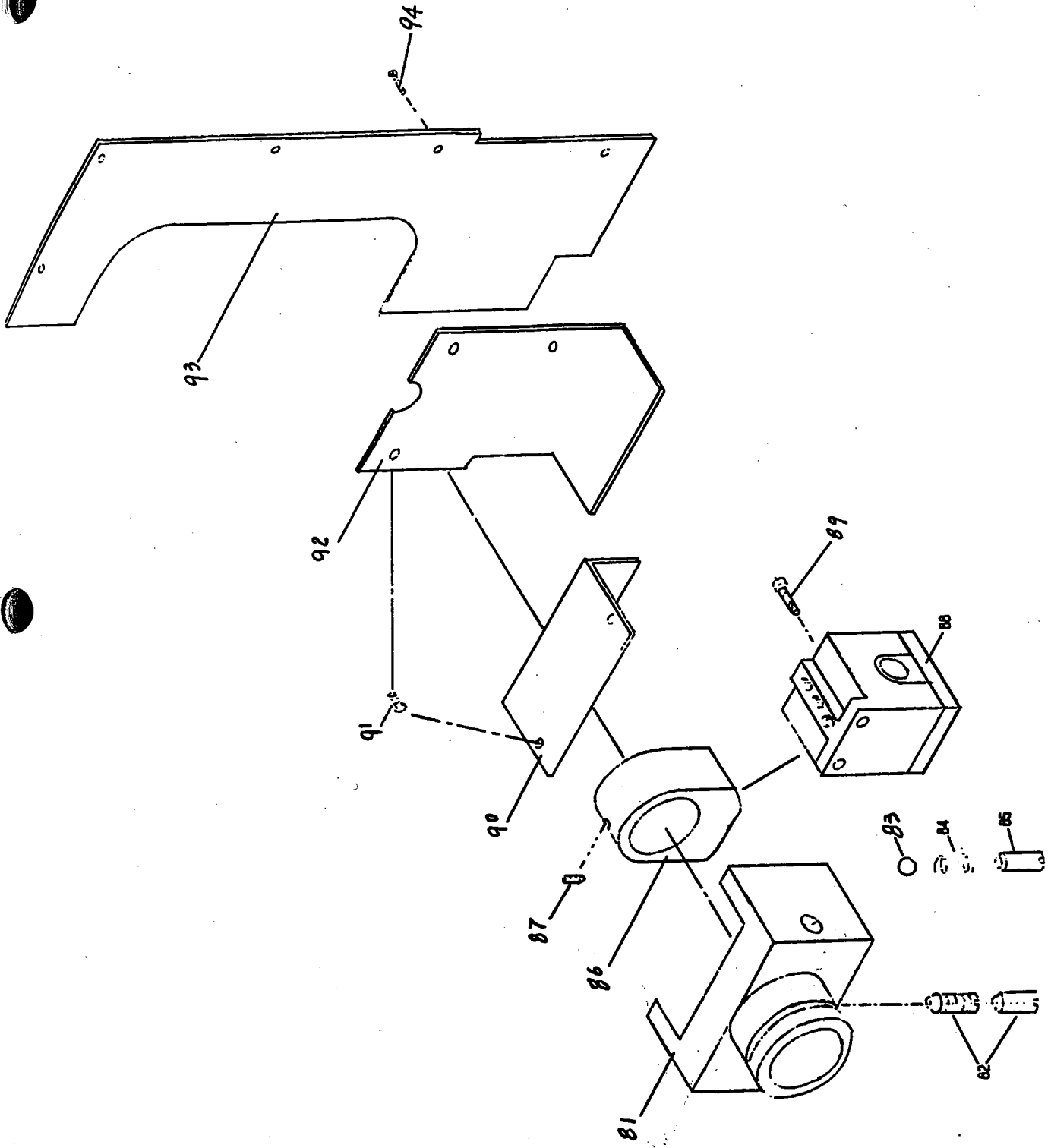


C-3TB4417-0AG1

QUICK CHANGE GEAR BOX



QUICK CHANGE GEAR BOX

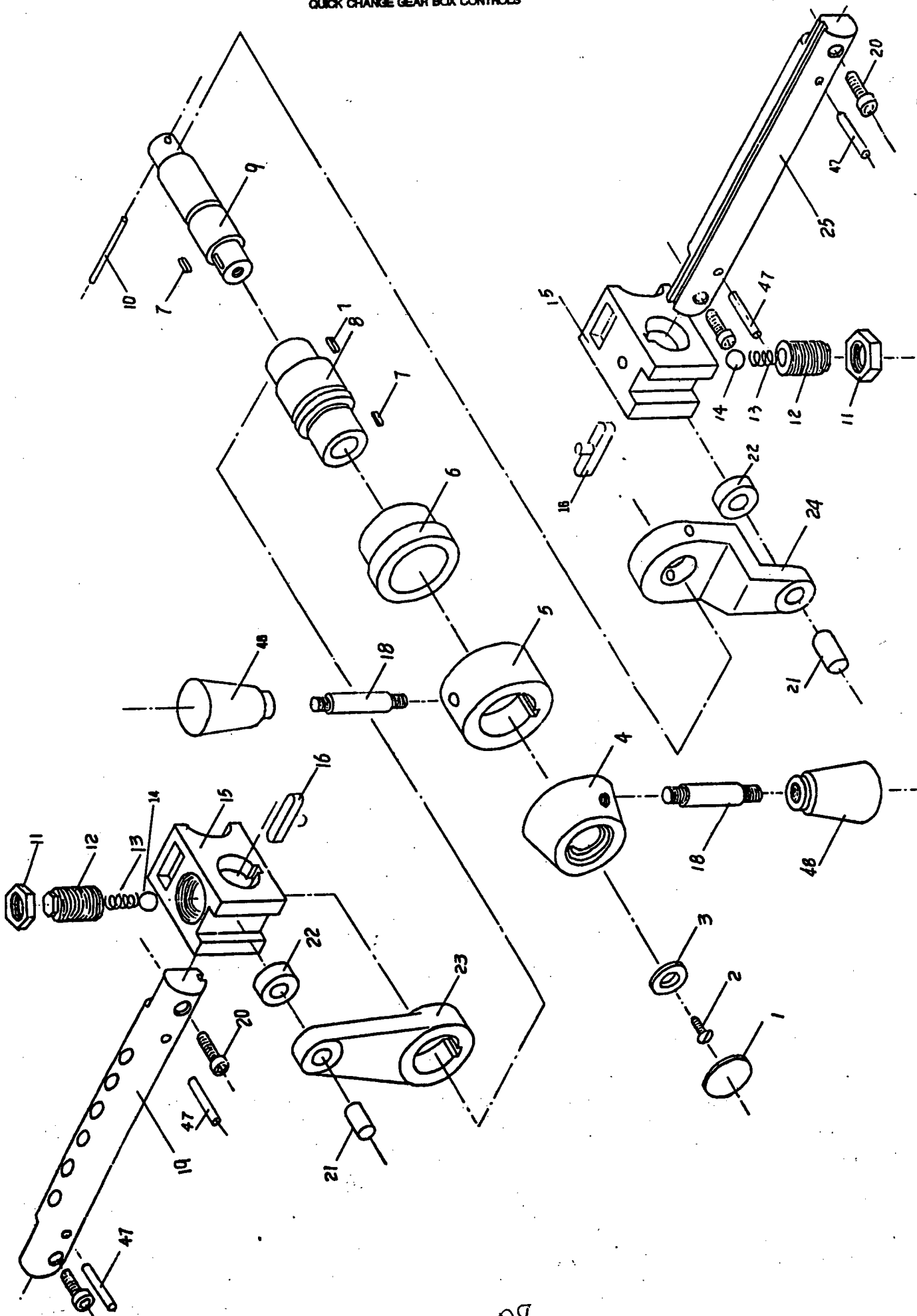


Quick Change Gear Box

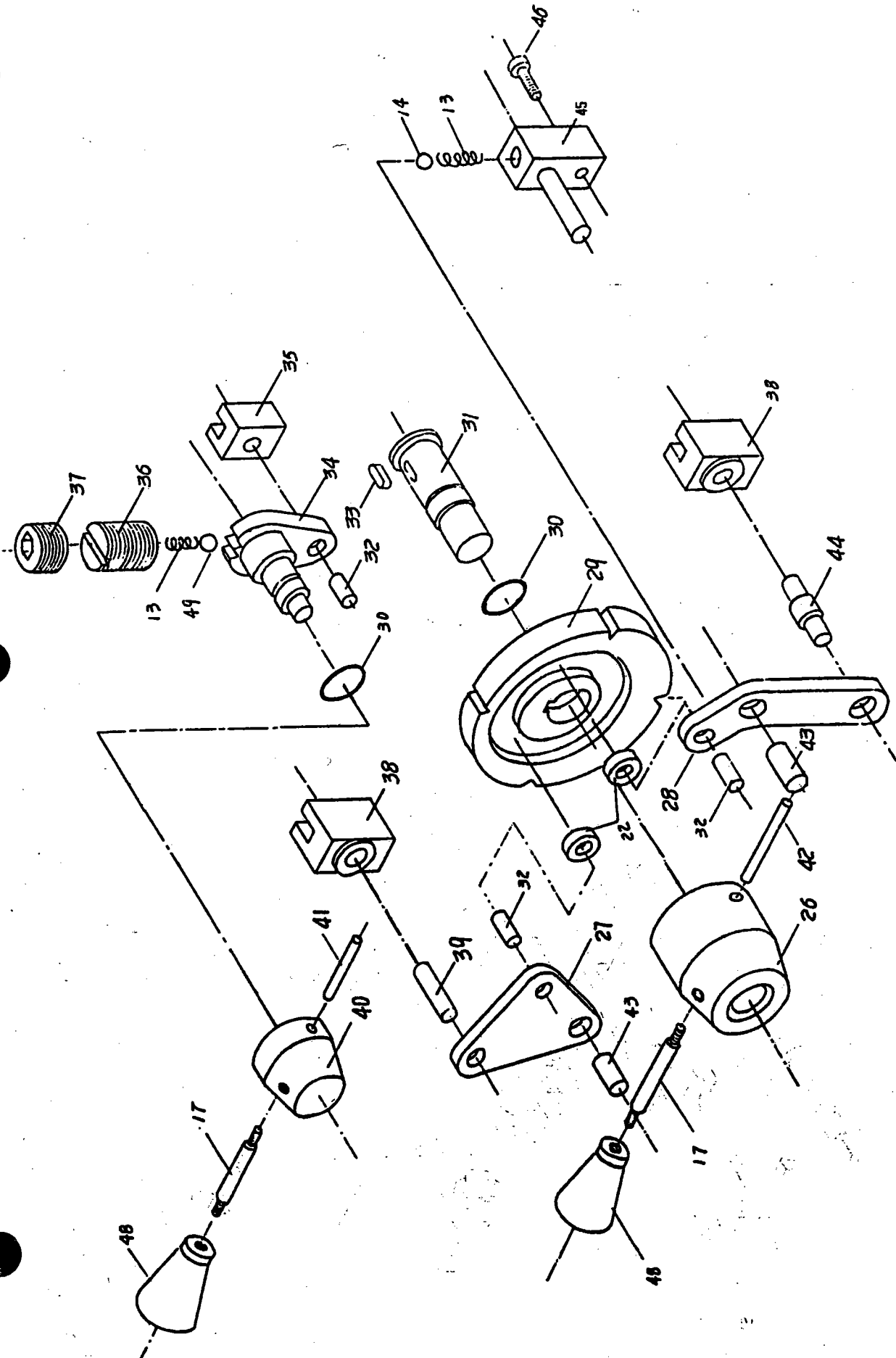
1	TS-1504051	Hex Socket Cap Screw	M8x25	4
2	C-1310120	Flange		1
3	TS-1534041	Screw	M6x12	2
4	C-1310130	Locking Sleeve		1
5	C-G51-4	Seal Ring		2
6	BB-7206	Taper Roller Bearing		1
7	C-1310140	Shaft		1
8	C-1310151	Gear (P1=2,T1=27 P2=2.25T2=18)		2
9	BB-7203	Taper Roller Bearing		7
10	C-Q43-1	Washer		2
11	C-1310161	Gear (P=2, T1=42T2=21)		1
12	C-GB894-76	C-Clip		1
13	C-1310170	Shaft		1
14	C-1310181	Gear	P=1.5,T=28	1
16	C-1310191	Clutch Shaft		1
17	C-D8106	Bearing		2
18	TS-1504041	Hex Socket Cap Screw	M8x20	4
19	C-1310200	Flange		1
20	C-1310210	Sleeve		1
21	C-1310220	Washer		1
22	C-1310230	Locking Sleeve		2
23	C-1310240	Lead Screw Sleeve		1
24	C-1311020	Taper Pin		2
25	C-GB54-76	Thin Hex Nut	M16x1.5	1
26	C-GB78-76	Set Screw	M16x1.5x3.5	1
27	C-1310410	Flange		1
28	C-Q55-8	Adjusting Washer		1
29	C-1310351	Washer		2
30	C-1310960	Gear	P=2,T=33	1
31	C-1310401	Gear	P=2,T=35	1
32	C-1310391	Gear	P=2,T=36	1
33	C-1310361	Shaft		1
34	C-Q43-1	Sleeve	28x35x35	1
35	C-1310381	Gear	P=2.25,T=36	1
36	C-1310371	Gear	P=2.25,T=40	1
37	C-1310950	Gear	P=2.25,T=38	1
41	C-1310340	Washer		1
42	C-1310330	Shaft		1
43	C-1310321	Gear	P=2,T=21	1
44	C-1310311	Gear	P=2,T=42	1
45	C-Q43-1	Sleeve	25x32x20	1
46	C-1310301	Gear	P=2,T=31	1
49	C-1310291	Gear Shaft	P=1.5,T=56	1
51	C-106	Bearing	30x55x13	1
52	C-Q43-1	Sleeve	30x37x8	1
54	C-1310280	Washer		1
55	C-G51-9	Seal Ring		1
56	C-J51-9	Spacer		1
57	TS-1524051	Set Screw	M8x20	1
58	C-1310251	Flange		1
59	C-1310260	Adjusting Sleeve		1
61	C-1310270	Feed Rod Sleeve		1
62	C-1310420	Plug		1
63	C-G51-9	Seal Ring		1
64	C-203	Bearing	17x40x12	1

66	C-205	Bearing		1
67	C-1310441	Gear (P=2,Z1=21,Z2=31)		1
68	C-1310430	Shaft		1
69	C-1310461	Plug		1
70	C-G51-9	Seal Ring		1
71	GB893-76	C-Ring	40	1
81	C-1310452	Flange		1
82	GB75-76	Screw		2
83	C-Q29-1	Steel Ball	9	1
84	C-Q81-1	Spring		1
85	TS-1525021	Set Screw	M10x12	1
86	C-0110261	Adjusting Sleeve		1
87	GB75-76	Screw	M8x10	1
88	C-JWZ-11Z/3TH	Switch		1
89	TS-1523041	Hex Socket Cap Screw	M6x12	4
90	C-1311050	Cover		1
91	TS-1532032	Screw	M4x10	6
92	C-1311060	Cover		1
93		Cover		1
94	TS-1533042	Screw	M5x12	6

QUICK CHANGE GEAR BOX CONTROLS



QUICK CHANGE GEAR BOX CONTROLS



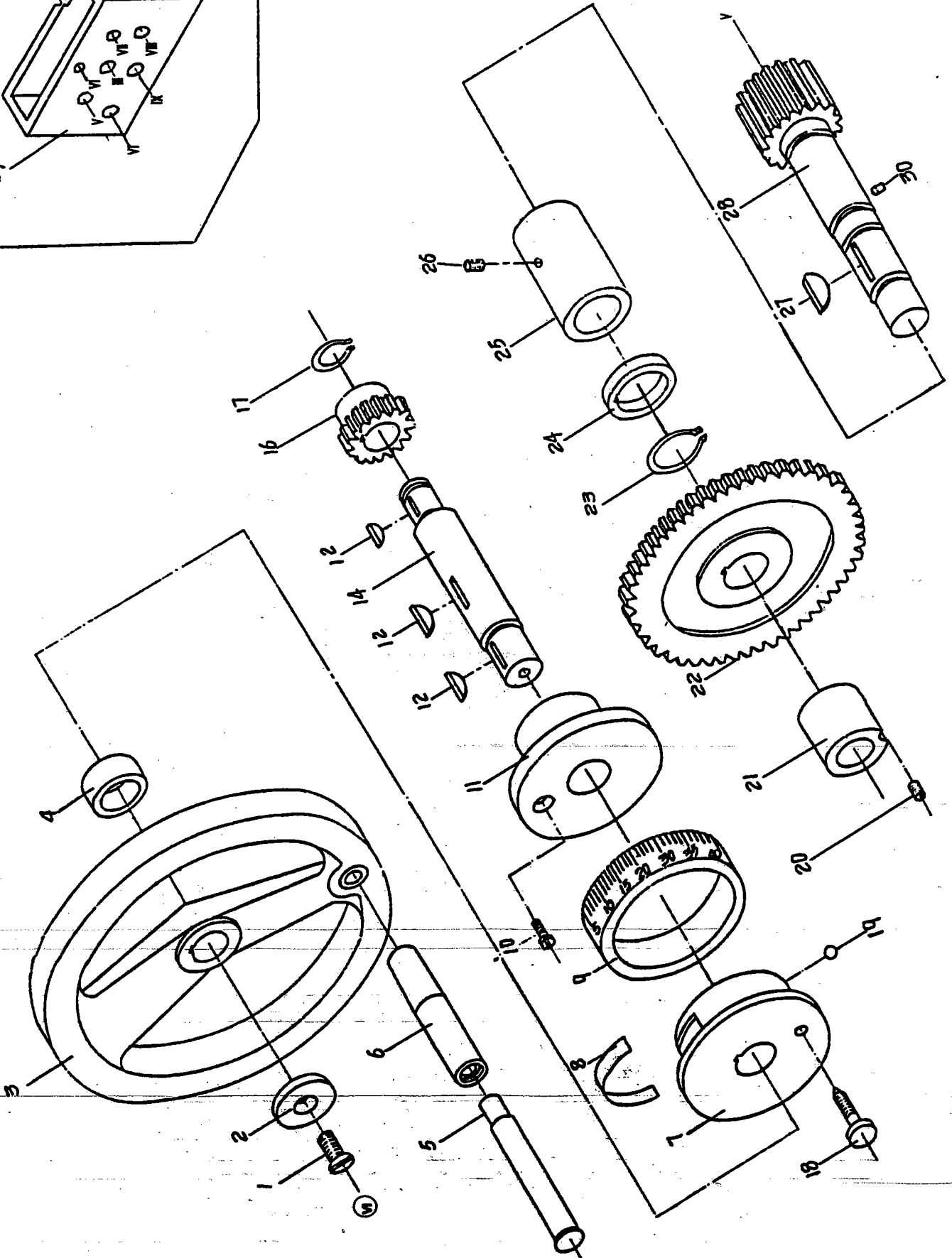
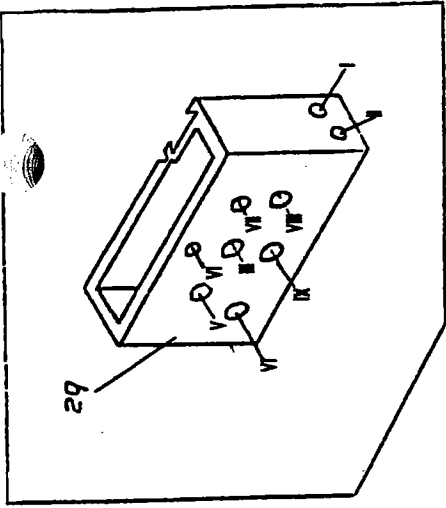
Quick Change Gearbox Controls

1	C-1310800	Cover		1
2	TS-1533031	Screw	M5x10	1
3	C-GB891-76	Retaining Ring	B20	1
4	C-1310571	Handle Base		1
5	C-1310562	Lever Base		1
6	C-1310490	Sleeve		3
7	C-GB1096-79	Key	5x12	1
8	C-1310550	Shaft Sleeve		1
9	C-1310540	Shaft		1
10	C-GB117-76	Pin	4x40	2
11	C-GB54-76	Thin Nut	M16x1.5	2
12	C-1310610	Screw Sleeve		4
13	C-Q81-1	Spring		4
14	C-Q29-1	Steel Ball	9	2
15	C-1310602	Slide Block		2
16	C-J31-3	Slide Key		2
17	C-1310503	Lever Handle		2
18	C-1310510	Lever Handle		1
19	C-1310582	Pin		4
20	TS-1504031	Hex Socket Cap Screw	M8x16	2
21	C-GB119-76	Pin	8M6x16	4
22	C-1310890	Drive Block		1
23	C-1310521	Drive Rod		1
24	C-1310531	Drive Rod		1
25	C-1310592	Shaft		1
26	C-1310720	Lever Base		1
27	C-1310670	Lever Plate		1
28	C-1310680	Lever Link		1
29	C-1310710	Eccentric Disk		2
30	C-G51-9	O-Ring		1
31	C-1310700	Shaft		3
32	C-GB119-76	Pin	8M6x20	1
34	C-1310620	Rocker		1
35	C-1310650	Slide Block		1
36	C-1310640	Screw Sleeve		1
37	C-GB78-76	Set Screw	M16x1.5x16	2
38	C-1310660	Slide Block		1
39	C-GB119-76	Pin	10M6x30	1
40	C-1310630	Lever Base		1
41	C-GB117-76	Pin	4x35	1
42	C-GB117-76	Pin	4x50	1
43	C-GB119-76	Pin	10M6x22	2
44	C-1310690	Shaft		1
45	C-1310731	Positioning Block		1
46	TS-1503051	Hex Socket Cap Screw	M6x20	1
47	C-GB119-76	Pin	4M6x30	1
48	C-1311041	Knob		4
49	C-Q29-1	Steel Ball	10	1
	C-1310861	Plastic Label (not shown)		1

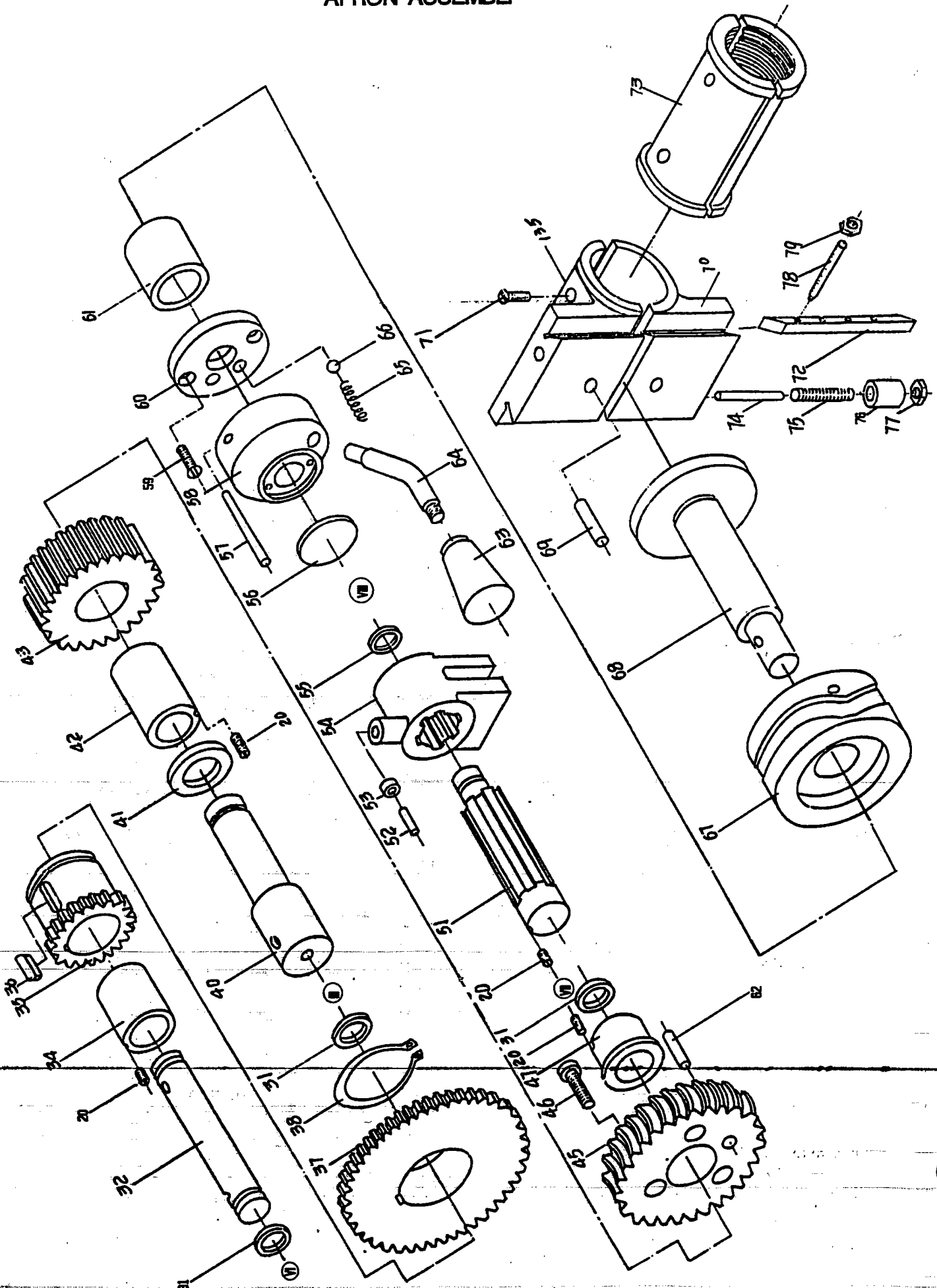
Quick Change Gearbox Controls

1	C-1310800	Cover		1
2	TS-1533031	Screw	M5x10	1
3	C-GB891-76	Retaining Ring	B20	1
4	C-1310571	Handle Base		1
5	C-1310562	Lever Base		1
6	C-1310490	Sleeve		1
7	C-GB1096-79	Key	5x12	3
8	C-1310550	Shaft Sleeve		1
9	C-1310540	Shaft		1
10	C-GB117-76	Pin	4x40	1
11	C-GB54-76	Thin Nut	M16x1.5	2
12	C-1310610	Screw Sleeve		2
13	C-Q81-1	Spring		4
14	C-Q29-1	Steel Ball	9	4
15	C-1310602	Slide Block		2
16	C-J31-3	Slide Key		2
17	C-1310503	Lever Handle		2
18	C-1310510	Lever Handle		2
19	C-1310582	Pin		1
20	TS-1504031	Hex Socket Cap Screw	M8x16	4
21	C-GB119-76	Pin	8M6x16	2
22	C-1310890	Drive Block		4
23	C-1310521	Drive Rod		1
24	C-1310531	Drive Rod		1
25	C-1310592	Shaft		1
26	C-1310720	Lever Base		1
27	C-1310670	Lever Plate		1
28	C-1310680	Lever Link		1
29	C-1310710	Eccentric Disk		1
30	C-G51-9	O-Ring		1
31	C-1310700	Shaft		1
32	C-GB119-76	Pin	8M6x20	1
34	C-1310620	Rocker		1
35	C-1310650	Slide Block		1
36	C-1310640	Screw Sleeve		1
37	C-GB78-76	Set Screw	M16x1.5x16	1
38	C-1310660	Slide Block		1
39	C-GB119-76	Pin	10M6x30	1
40	C-1310630	Lever Base		1
41	C-GB117-76	Pin	4x35	1
42	C-GB117-76	Pin	4x50	1
43	C-GB119-76	Pin	10M6x22	1
44	C-1310690	Shaft		1
45	C-1310731	Positioning Block		1
46	TS-1503051	Hex Socket Cap Screw	M6x20	1
47	C-GB119-76	Pin	4M6x30	1
48	C-1311041	Knob		1
49	C-Q29-1	Steel Ball	10	1
	C-1310861	Plastic Label (not shown)		1

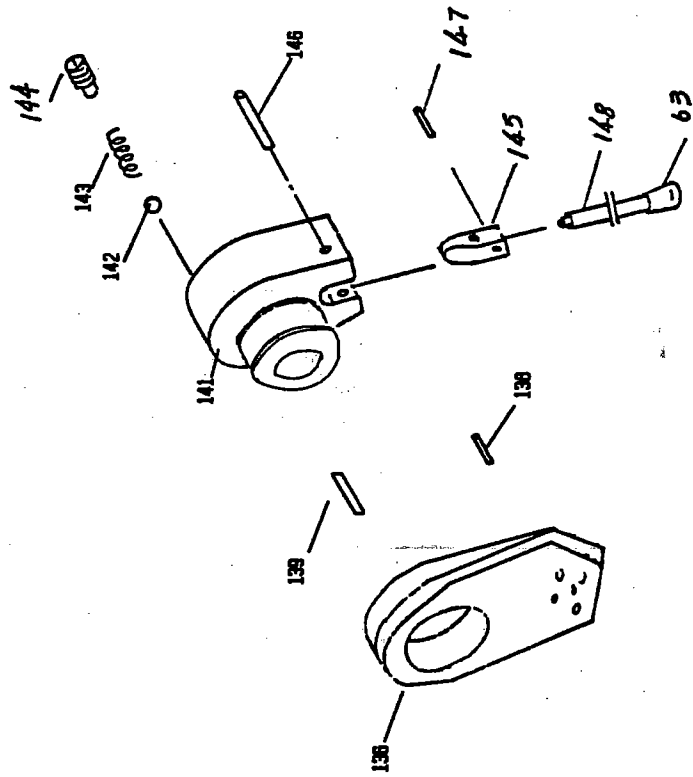
APRON ASSEMBLY



APRON ASSEMBLY



APRON ASSEMBLY



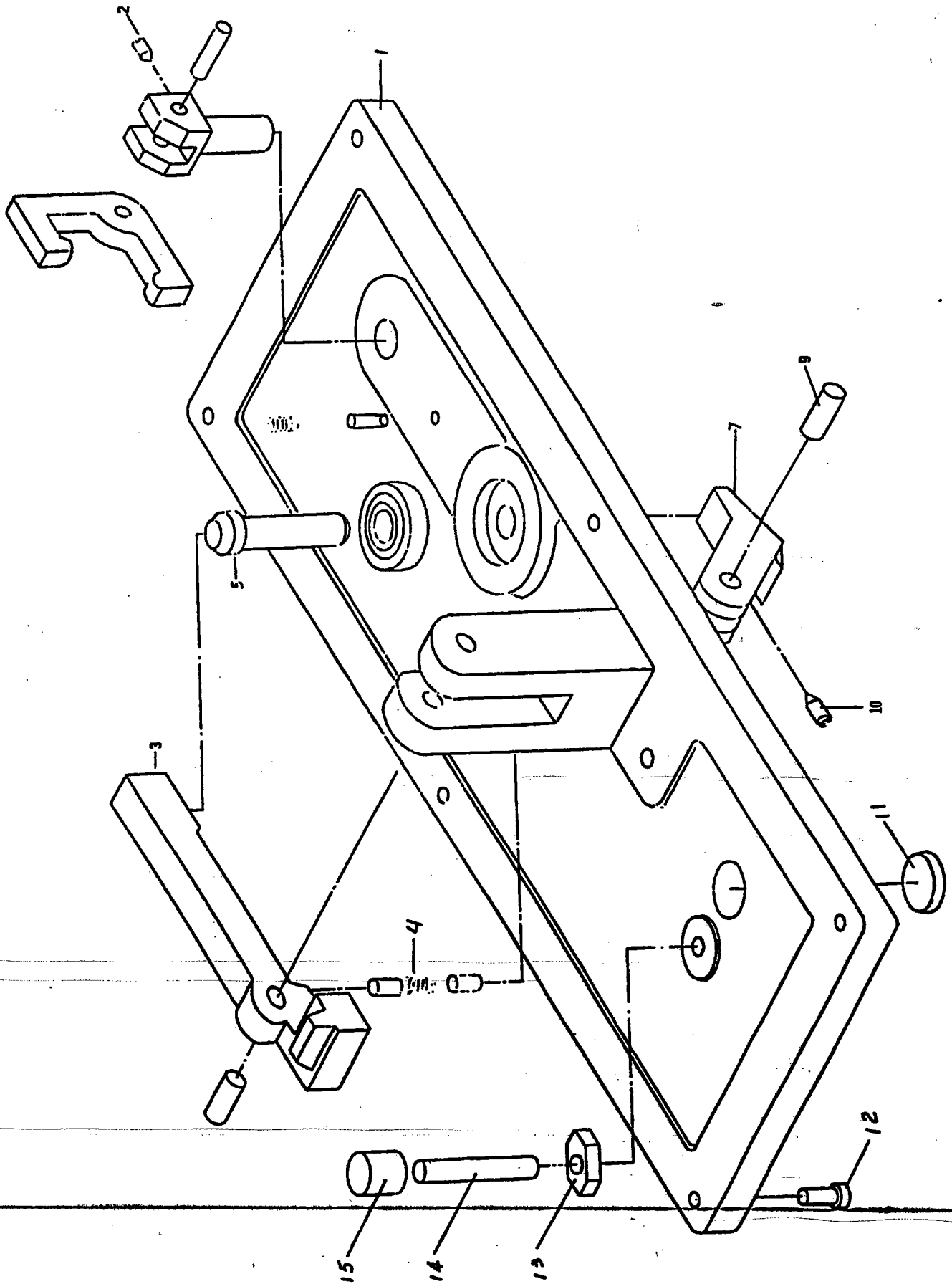
Apron Assembly

1	TS-1534051	Screw	M6x16	1
2	C-1710200	Washer		1
3	C-1710171	Hand Wheel		1
4	C-Q43-1	Spacing Collar	22x30x12	1
5	C-1710180	Hand Wheel Lever Stud		1
6	C-1710190	Hand Wheel Lever		1
7	C-1710160	Plate		1
8	C-Q67-4-32	Dial Indicator		1
9	C-1710740	Dial Ring		1
10	TS-1482021	Hex Cap Bolt	M6x12	1
11	C-1793140	Flange		1
12	C-GB1099-79	Half-Round Key		3
14	C-1710130	VI Shaft		1
16	C-1710141	Gear	P=1.75,T=19	1
17	C-GB894-76	C-Ring	17	1
18	C-1710150	Screw		1
19	C-Q29-1	Steel Ball	5.556	1
20	TS-1523021	Set Screw	M6x8	5
21	C-1710210	Sleeve		1
22	C-1710221	Gear	P=1.75,T=72	1
23	C-GB894-76	C-Ring	25	1
24	C-1710120	Washer		1
25	C-1710110	Sleeve		1
26	TS-1523041	Set Screw	M6x12	1
27	C-GB1099-76	Half-Round Key	6x22	1
28	C-1813120	Gear Shaft	T=12	1
29	C-1732110	Housing		1
30	C-GB119-76	Plug	3M6x6	1
31	C-G51-9	Seal Ring	20x24	2
32	C-1710230	Shaft		1
34	C-Q41-1	Shaft Sleeve	B20x28K6x35	1
35	C-1710241	Gear	P=1.75,T=25	1
36	C-GB1096-79	Flat Key	6x20	1
37	C-1710251	Gear	P=1.75,T=60	1
38	C-GB894-76	C-Ring	40	1
40	C-1710270	Shaft		1
41	C-1710260	Washer		1
42	C-1710390	Sleeve		1
43	C-1710281	Gear	P=1.75,T=37	1
45	C-1710290	Turbine Gear	P=2,T=40	1
46	TS-1503051	Hex Socket Cap Screw	M6x20	1
47	C-1710400	Sleeve		1
51	C-1710310	Spline Shaft		1
52	C-GB119-76	Cylinder Plug	5M6x14	1
53	C-Q99-1	Slide Block	B-10	1
54	C-1710300	Driving Fork		1
55	C-G51-9	Seal Ring	15x2.4	1
56	C-1710340	Plug		1
57	C-GB71-76	Pin	M6x16	1
58	C-1710330	Lever Base		1
59	TS-1533031	Screw	M5x10	2
60	C-1710320	Washer		1
61	C-Q41-1	Spacing Collar	C25x32K6x30	1
62	C-GB117-76	Taper Pin	5x25	1
63	C-0711511	Lever Knob		3

64	C-1710350	Lever Rod		2
65	C-Q81-1	Spring	1.2x8x20	1
66	C-Q29-1	Steel Ball	9.525	1
67	C-1732140	Cam		1
68	C-1732130	Shaft		1
69	C-GB119-76	Cylinder Plug	8M6x16	1
70	C-1732170	Lower Body		1
71	TS-1534041	Screw	M6x12	2
72	C-1732150	Gib		1
73	C-1773160	Thread Nut		1
74	C-GB119-76	Cylinder Plug	6M6x40	1
75	C-GB78-76	Screw	M8x40	1
76	C-1710370	Sleeve		1
77	TS-1540061	Nut	M8	1
78	C-1710760	Screw		1
79	TS-1540041	Nut	M6	1
80	C-1710531	Key		1
81	C-0320451	Feed Rod (1440)		1
	C-0360461	Feed Rod (1660, 1860)		1
82	C-1710512	Oil Seal		2
83	C-G51-9	Seal Ring	48x3.5	2
84	TS-1523061	Set Screw	M6x20	1
85	C-1710520	Sleeve		2
86	C-1710560	Washer		2
87	C-1710541	Gear	P=1.5, T=36	1
88	C-GB119-76	Cylinder Plug	3M6x6	3
89	C-G51-9	Seal Ring	40x301	1
90	C-1710550	Sleeve		1
96	BB-8103	Bearing		2
97	C-1710590	Sleeve		1
98	C-1710610	Worm		1
100	C-1710631	Shaft		1
101	C-1710750	Sleeve		1
102	C-1710621	Gear	P=1.5, T=36	1
105	TS-1524051	Set Screw	M8x20	1
107	C-1732221	Cradle		1
108	BB-8105	Bearing	20x35x10	1
109	C-1710770	Sleeve		1
110	C-1710641	Plate		1
111	C-Q81-1	Pressure Spring	4x28x50	1
112	C-1710653	Adjusting Screw		1
113	C-GB119-76	Cylinder Plug	5M6x16	1
114	C-1710451	Lever		1
115	C-1732201	Lever		1
116	1710461	Pin		1
117	TS-1522011	Set Screw		1
118	C-1710440	Pin		1
121	C-1710490	Lever Base		1
122	TS-1523051	Set Screw		1
123	C-GB119-76	Cylinder Plug	4M6x10	1
124	C-Q41-1	Sleeve		1
126	C-1710480	Handle		1
127	C-GB117-76	Cylinder Plug	5x50	1
129	C-1710501	Support		1
130	C-1732210	Shaft		1
131	C-1710600	Cylinder Plug		1
132	C-1732180	Plate		1

133	C-GB117-76	Cylinder Plug	5x20	1
134	TS-1523041	Hex Socket Cap Screw	M6x12	1
135	C-1732160	Upper Body		1
136	C-1830671	Plate		1
137	C-GB117-76	Pin	5x20	1
138	C-GB70-76	Screw	M6x12	1
139	C-J31-3	Sliding Key	6x6x30	1
140	C-Q31-1A	Spring	1.4x10x20	1
141	C-1830660	Locking Body		1
142	C-Q29-1A	Steel Ball	6	1
143	C-Q81-1A	Spring		1
144	TS-1524021	Set Screw		1
145	C-1830680	Locking Block		1
146	C-GB119-76	Pin	5M6x35	1
147	C-GB119-76	Pin	4x16	1
148	C-1710700	Lever Rod		1
	TS-1524011	Set Screw (not shown)	M8x8	1
	C-GB71-76	Pin (not shown)	M6x25	1
	C-GB118-78	Pin (not shown)	M8x50	1

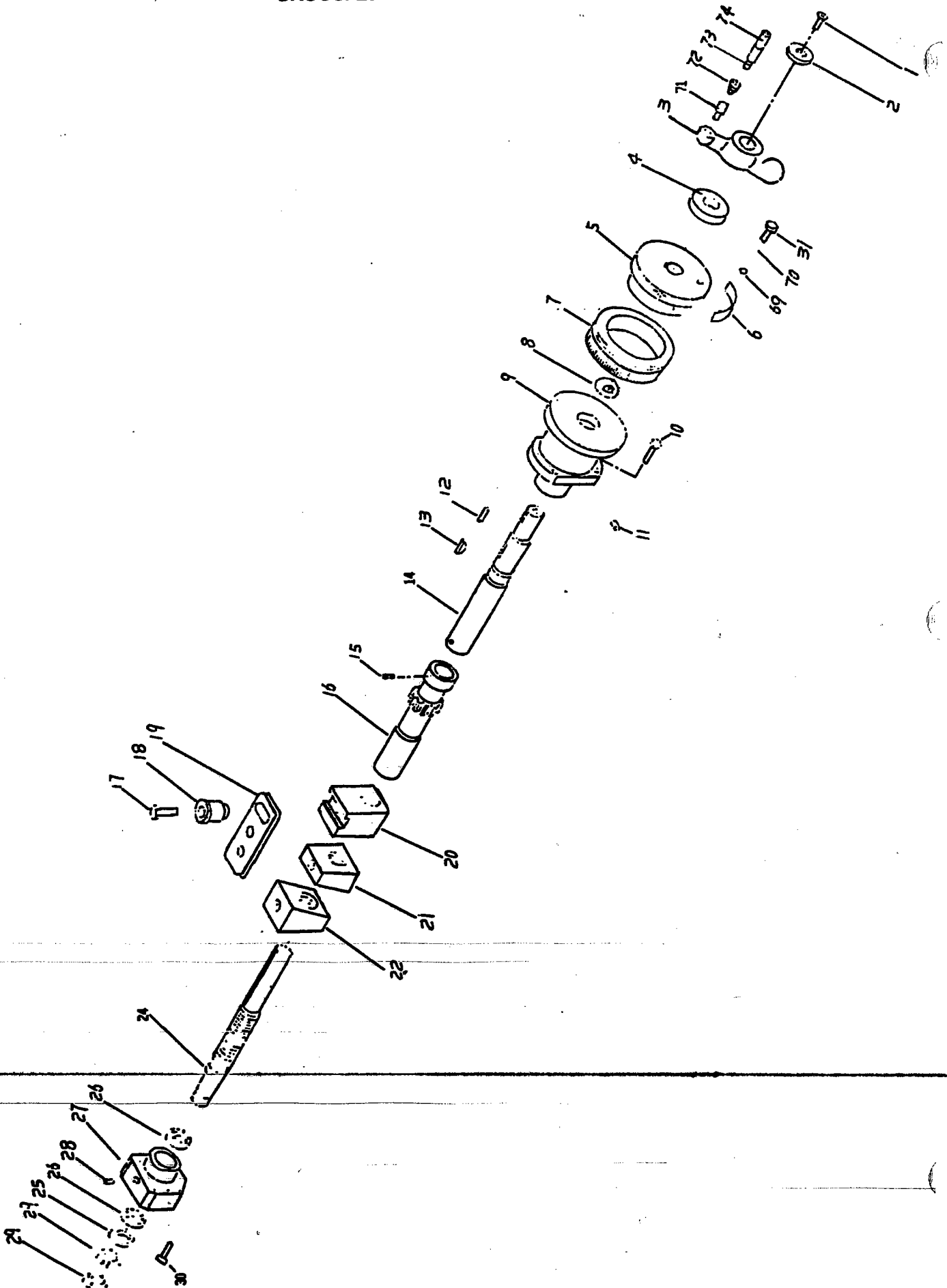
APRON STOP ASSEMBLY



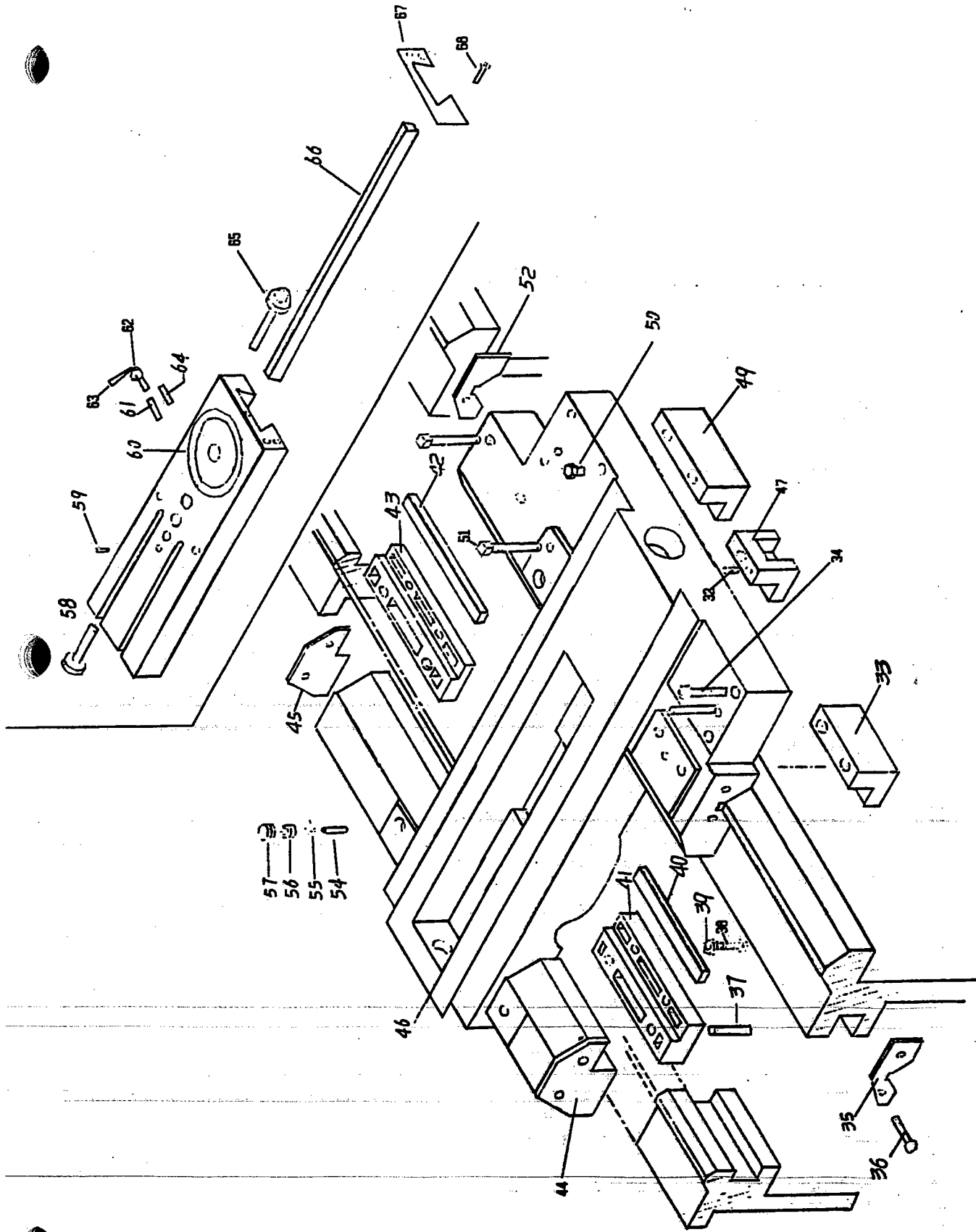
Apron Stop Assembly

1	C-1884501	Cover		1
2	TS-1522011	Set Screw	M5x6	1
3	C-1754510	Lever		1
4	C-Q81-1	Spring		2
5	C-1860120	Touch Rod		1
6	12x45x47	Oil Seal		1
7	C-1860110	Touch Block		1
9	C-GB119-76	Cylinder Pin	8M6x30	1
10	C-GB71-76	Set Screw		1
11	C-G38-3	Plug		1
12	TS-1503031	Hex Socket Cap Screw	M6x12	6
13	TS-154061	Nut	M8	1
14	C-1710410	Screw		1
15	C-1710420	Rubber Pad		4

CROSSFEED ASSEMBLY



CROSSFEED ASSEMBLY

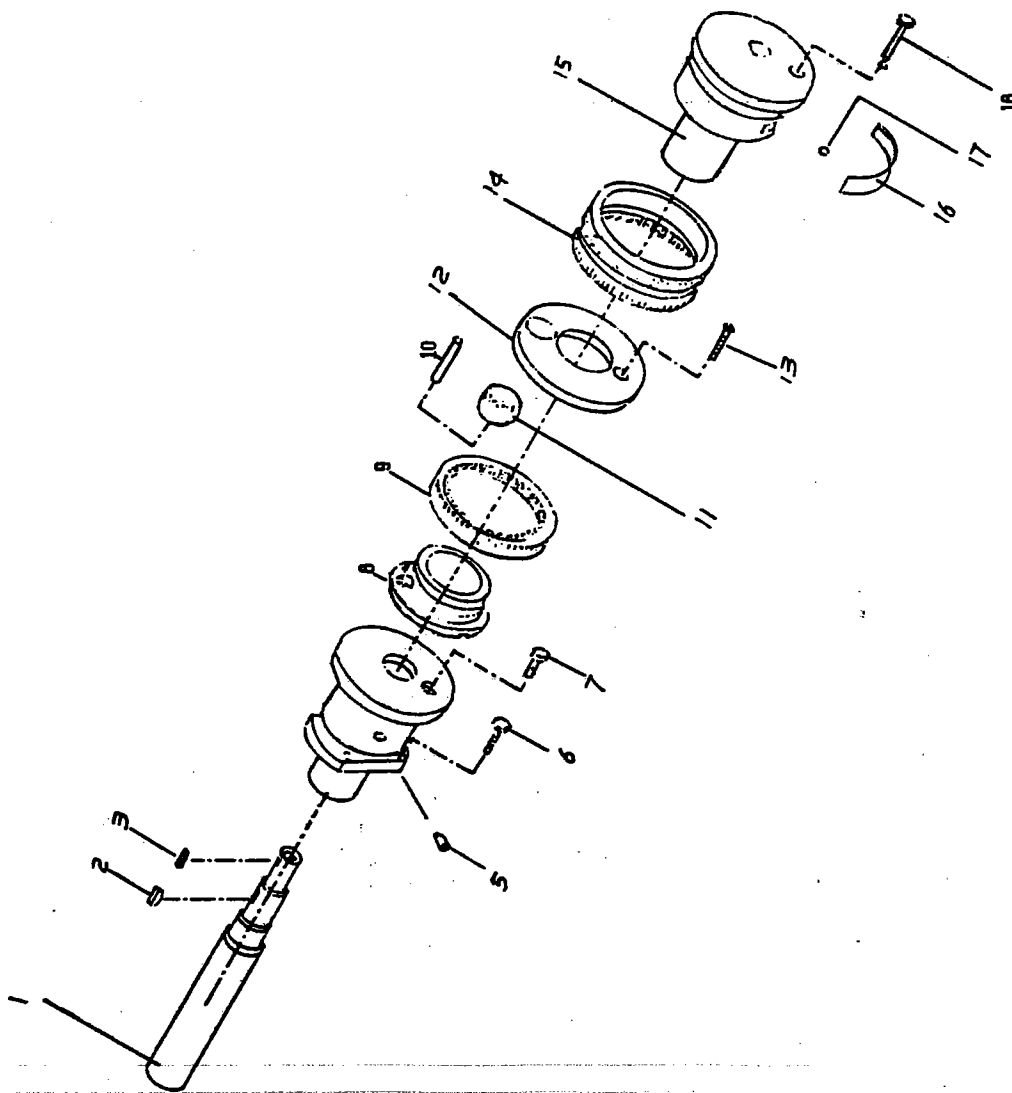


Crossfeed Assembly

1	TS-1523021	Flat Head Socket Bolt	M5x12	1
2	C-GB891-86	Scraper Ring	B22	1
3	C-2310183	Lever		1
4	C-2310441	Pad		1
5	C-2600450	Inner Ring		1
6	C-Q67-4A-32	Spring Leaf	80	1
7	C-2600470	Index Ring (outer ring)		1
8	BB-8104	Bearing		1
9	C-2610441	Flange (1440/1660)		1
	C-2620461	Flange (1860)		1
10	TS-1490031	Hex Cap Bolt	M8x20	1
11	C-R71-1	Oil Cup	6	1
12	C-GB1096-79	Key	5x5x12	1
13	C-GB1099-79	Half Round Key	5x19	1
14	C-2610482	Shaft (1440/1660)		1
	C-2620502	Shaft (1860)		1
15	TS-1523021	Set Screw	M6x8	1
16	C-2600160	Shaft Gear for Crossfeed Screw		1
17	TS-1491031	Hex Cap Bolt	M10x25	1
18	C-2320700	Sleeve (1440/1660)		1
	C-2320690	Sleeve (1860)		1
19	C-2310131	Pad		1
20	C-2600540	Nut		1
21	C-2310120	Wedge		1
22	C-2600530	Nut		1
24	C-2600680	Feed Screw Assy. (w/nuts 20,21,22)		1
26	BB-8103	Bearing		2
27	C-7310150	Flange		1
28	C-R71-1	Oil Rod		1
29	C-GB812-76	Round Nut	M16x1.5	1
30	TS-1503091	Hex Socket Cap Screw	M6x40	1
31	C-2310380	Screw		1
32	C-GB118-76	Taper Pin	8x60	4
33	C-2310230	Front Press Plate		1
34	TS-1506071	Hex Socket Cap Screw	M12x50	4
35	C-2600270	Scraper		1
36	TS-1503041	Hex Socket Cap Screw		8
37	TS-1492041	Hex Cap Bolt	M12x40	4
38	TS-1491041	Hex Cap Bolt	M10x30	4
39	TS-1540071	Nut	M10	4
40	C-2310220	Plate		1
41	C-2310210	Pressure Plate		1
42	C-2310200	Plate		1
43	C-2310190	Pressure Plate		1
44	C-2600300	Scraper		1
45	C-2310310	Scraper		1
46	C-2600110	Cross Slide Bed		1
47	C-2310241	Pressure Plate		1
49	C-2310250	Front Pressure Plate		1
50	C-G38-2	Oil Plug		2
51	C-2310261	Screw		2
52	C-2600290	Scraper		1
53	TS-1505041	Hex Socket Cap Screw	M10x30	2
54	C-A31-8	Copper Pipe		1
55	C-A86-2	Wool Line		1

56	C-2310360	Oil Reservoir		1
57	C-2310370	Cover		1
58	C-J21-11	Gib Screw	M10x30	1
59	C-R71-1	Oil Rod	10	1
60	C-2340422	Slide Plate		1
61	C-2310400	Pressure Pad		1
62	C-2310410	Screw		1
63	C-2310430	Lever		1
64	C-2310420	Stop Pin		1
65	C-J21-11	Gib Screw	M10x30	1
66	C-2610530	Gib (1440/1660)		1
	C-2620450	Gib (1860)		1
67	C-2610510	Scraper (1440/1660)		1
	C-2620510	Scraper (1860)		1
68	TS-1534052	Screw	6x16	6
69	C-29-1	Steel Ball	6	1
70	C-81-1A	Spring	.3x27x10	1
71	C-1710180	Handle Shaft		1
72	C-1710190	Taper Sleeve		1
73	C-2690140	Lever Core		1
74	C-2690130	Lever Sleeve		1

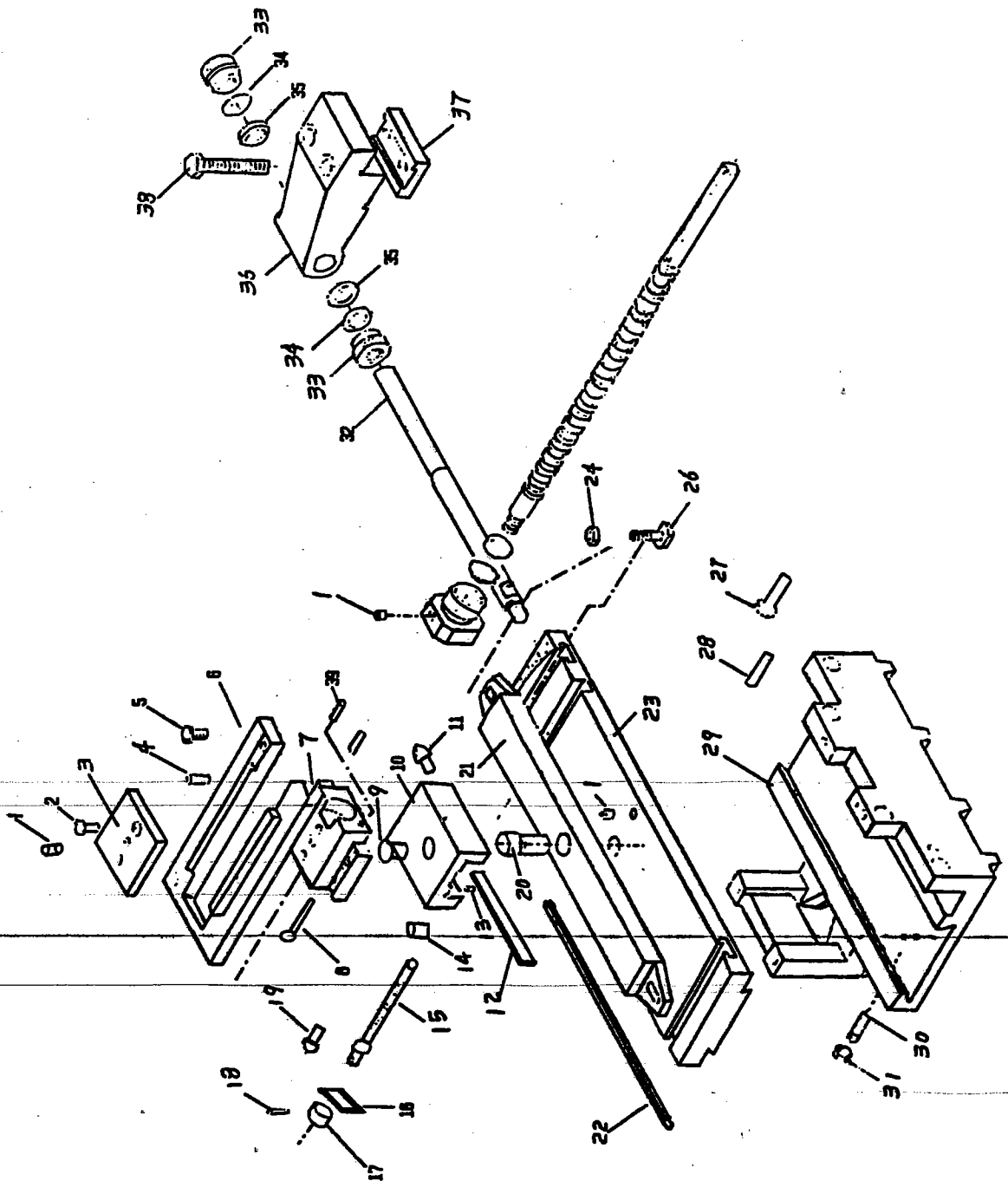
CROSSFEED DIAL INDICATOR



Crossfeed Dial Indicator Assembly

1	C-3070172	Lever (1440/1660)	1
	C-3070182	Lever (1860)	1
2	C-GB1099-79	Half Round Key	5x19
3	C-GB1096-79	Flat Key	5x5x12
4	C-3070441	Flange (1440/1660)	1
	C-3070461	Flange (1860)	1
5	C-R71-1	Oil Cup	6
6	TS-1490031	Hex Cap Screw	M8x20
7	C-3070160	End Face Key	1
8	C-3070110	Inner Ring Fitting	1
9	C-3110111	Inch Ring Scale	1
10	C-GB119-76	Cylinder Pin	6H8x20
11	C-3070130	Gear	1
12	C-3070120	Outer Ring Fitting	2
13	C-GB65-76	Screw	1
14	C-3110121	Metric Scale Ring	1
15	C-3070140	Inner Ring	1
16	C-Q67-4A-32	Spring Leaf	1
17	C-Q29-1	Steel Ball	1
18	C-3070150	Locking Screw	2
	BB-8104	Bearing (not shown)	1

TAPER ATTACHMENT

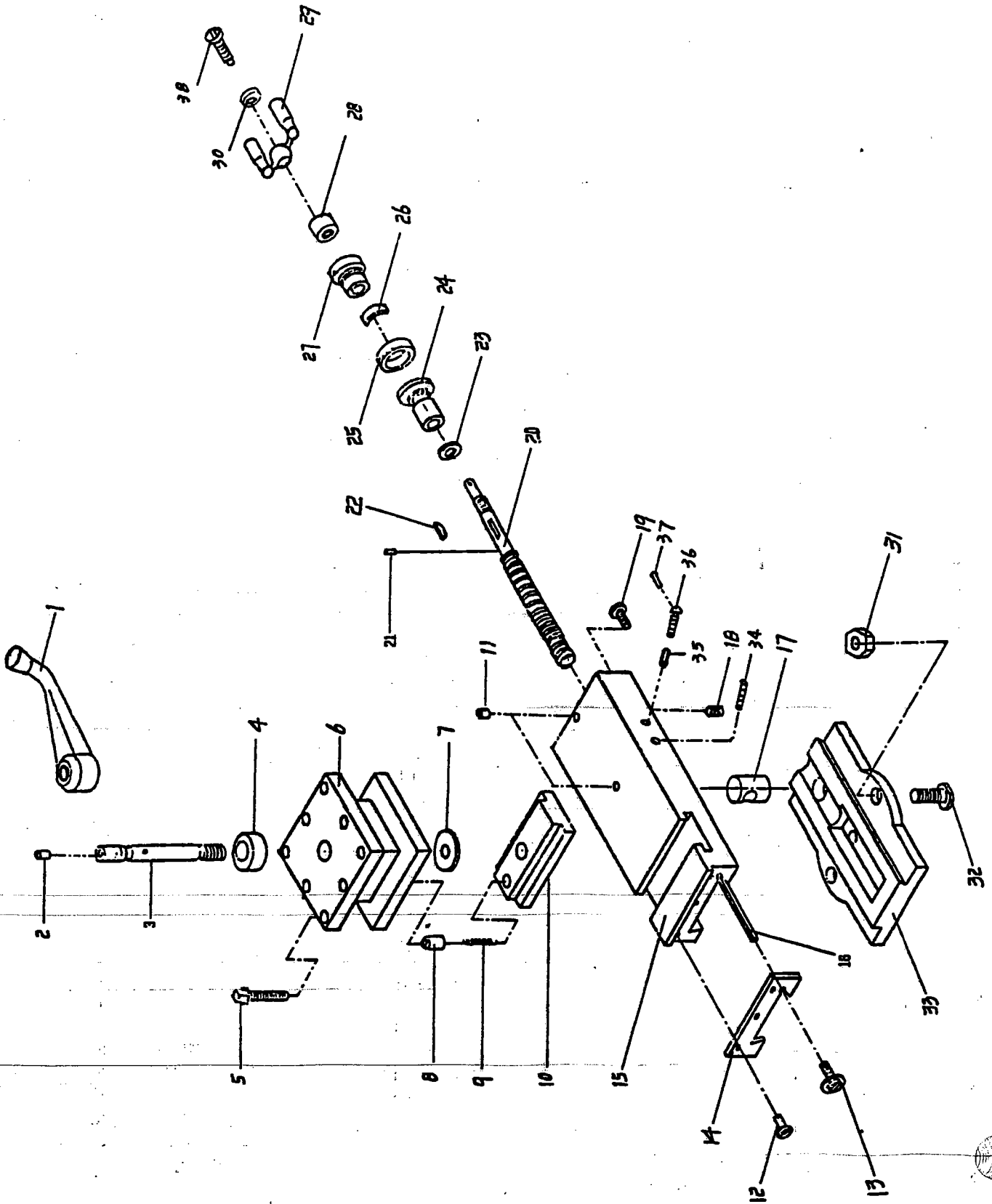


46

Taper Attachment Assembly

1	C-R71-1	Oiler			
2	TS-1504021	Hex Socket Cap Screw	6		3
3	C-7310220	Pressure Plate	M8x12		2
4	C-GB118-76	Taper Pin	8x30		1
5	TS-1505011	Hex Socket Cap Screw	M10x16		2
6	C-7310210	Support			2
7	C-7310130	Slide Block			1
8	TS-1503131	Hex Socket Cap Screw	M6x60		1
9	C-7310230	Shaft			2
10	C-7310240	Guide Way Clamp			1
11	C-7310290	Adjusting Screw			1
12	C-7310280	Gib			1
13	C-GB119-76	Cylinder Pin			1
14	C-7310190	Micro Adjusting Nut			1
15	C-7310300	Worm			1
16	C-7310310	Cover			1
17	C-7310320	Turning Lever			1
18	C-GB117-76	Conical Pin	3x20		1
19	C-GB65-76	Head Screw	M8x16		1
20	C-7310250	Shaft			1
21	C-7310200	Copy Ruler			1
22	C-731-370	Gib			1
23	C-7310120	Taper Plate			1
24	TS-1540081	Nut	M12		1
26	C-7310180	Screw			1
27	TS-1494031	Hex Cap Screw	M16x40		2
28	C-GB118-76	Taper Pin	8x40		1
29	C-7310110	Body			1
30	TS-1490071	Set Screw	M8x40		3
31	C-GB54-76	Nut	M10		3
32	C-7310330	Support Rod			1
33	C-7310340	Nut			2
34	C-GB849-76	Ball Face Washer	20		2
35	C-GB850-76	Taper Face Washer	20		2
36	C-7310170	Pressure Plate			1
37	C-7310350	Base			1
38	TS-1494061	Hex Cap Bolt	M16x70		2
39	C-GB119-76	Cylinder Pin	6M6x35		2
	C-7310370	Gib (not shown)			1

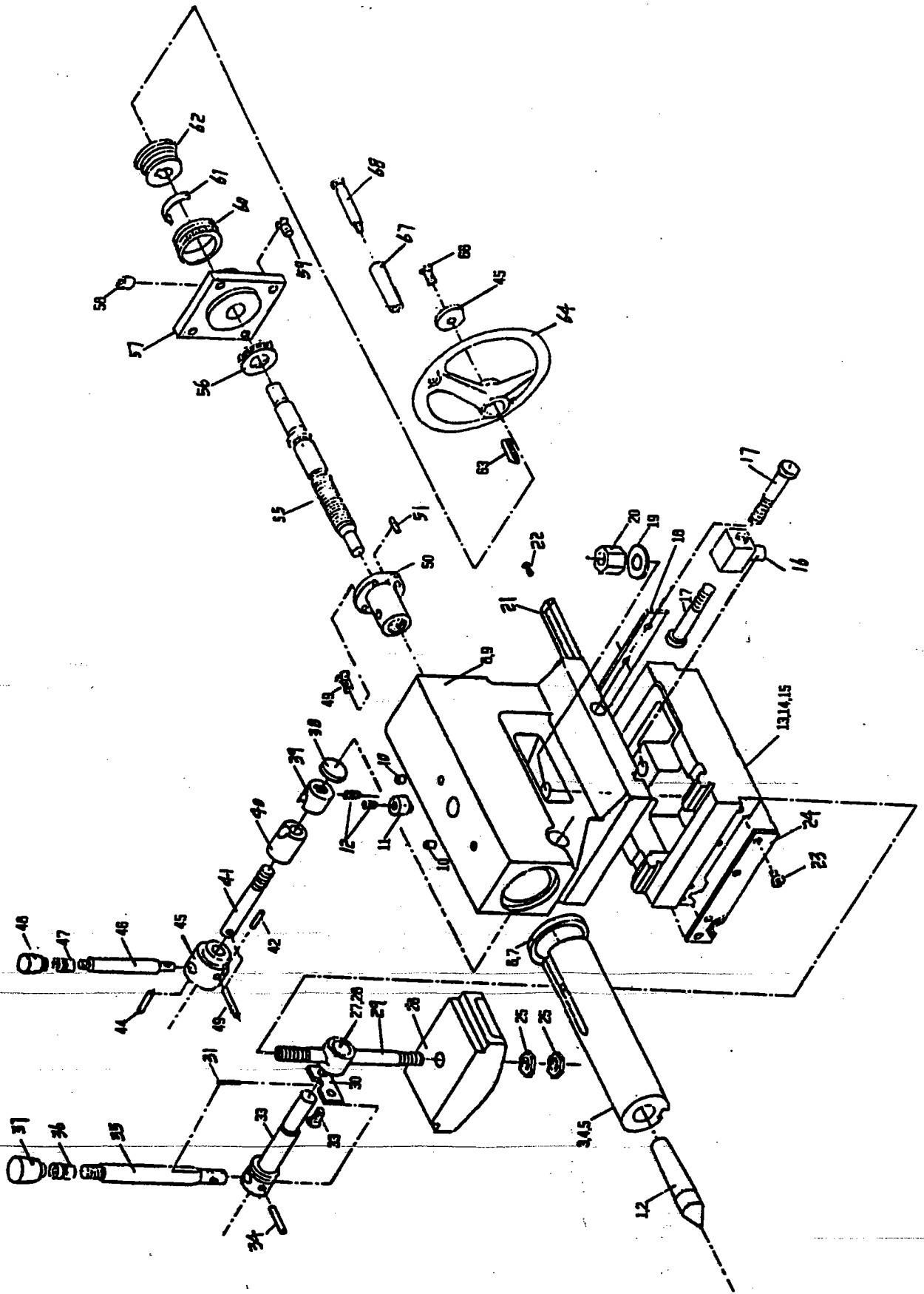
FOUR WAY TOOL POST



Four Way Tool Post Assembly

1	C-3300160	Handle		1
2	C-R71-1	Oiler		1
3	C-3300141	Shaft	10	1
4	C-2710190	Sleeve		1
5	C-GB83-76	Screw	M12x50	1
6	C-3320140	Toolpost Base (1440)		8
	C-3230142	Toolpost Base (1660/1860)		1
7	C-3300130	Positioning Pin		1
8	C-3300170	Washer		1
9	C-Q81-1A	Spring		1
10	C-3300150	Locking Block		1
11	C-R71-1	Oiler		1
12	TS-1534052	Screw	6	1
13	C-3300190	Pin	M6X16	5
14	C-2710250	Scraper (1660)		1
	C-3322180	Scraper (1440, 1860)		1
15	C-3300122	Upper Toolpost (1440, 1880)		1
	C-3320112	Upper Toolpost (1660)		1
16	C-2710120	Gib (1660)		1
	C-3200130	Gib (1440, 1860)		1
17	C-3090320	Nut	1/8	1
18	C-GB71-76	Screw	M8x16	1
19	C-GB65-76	Screw	M8x30	1
20	C-3090341	Lead Screw		1
21	C-GB119-76	Pin	5M6x8	1
22	C-GB1099-79	Key	5x19	1
23	BB-8103	Bearing		1
24	C-2710241	Eccentric Sleeve		2
25	C-3090120	Outer Ring Dial		1
26	C-Q67-4A-32	Spring Leaf		1
27	C-3090111	Inner Ring Dial		1
28	C-3300200	Spacer		1
29	C-2710222	Lever		1
30	C-GB891-86A	Washer	B20	1
31	TS-1540081	Nut	M12	2
32	C-2710230	Screw	12	2
33	C-3200111	Tool Post Base (1440)		1
	C-3220121	Tool Post Base (1660)		1
	C-3230110	Tool Post Base (1860)		1
34	C-2310420	Pin		1
35	C-2710260	Compression Spacer		1
36	C-2310410	Screw		1
37	C-2310430	Lever		1
38	C-GB819-76	Screw	M5X12	1

TAILSTOCK ASSEMBLY

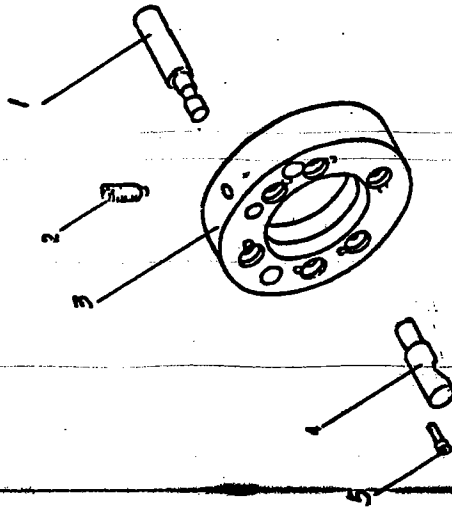
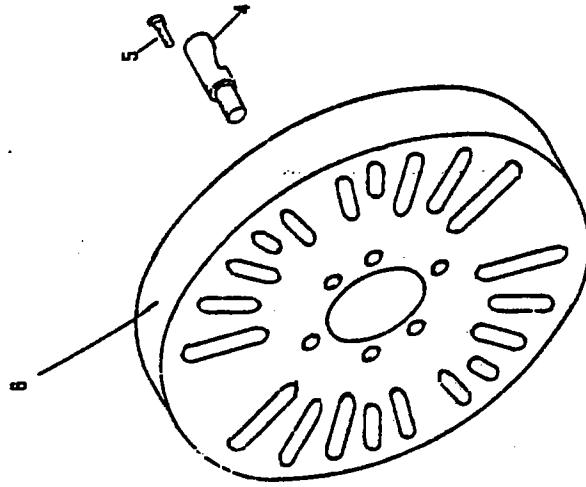


Tailstock Assembly

1-2	C-S25-2	Center	MT4	1
3-5	C-3630110	Bushing		1
6	C-3410571	Seal Ring		1
7	C-3410580	Seal Ring		1
8-9	C-3420112	Tailstock Body (1440)		1
	C-3430101	Tailstock Body (1660/1860)		1
10	C-R71-1	Oiler	6	2
11	C-3410421	Key		1
12	C-GB71-76	Screw	M6x8	1
13-15	C-3420311	Tailstock Base (1440/1660)		1
	C-3440322	Tailstock Base (1860)		1
16	C-3410400	Nut		1
17	TS-1506141	Hex Socket Cap Screw	M12x90	2
18	C-3500541	Scrapper		1
19	TS-1550111	Washer	M20	1
20	TS-1540121	Nut	M20	1
21	C-3410491	Label		1
22	C-GB867-76	Rivet		4
23	TS-1534042	Screw	M6x12	4
24	C-350054	Scrapper		1
25	C-GB54-76	Nut	M20x1.5	2
26	C-3410301	Plate		1
27-29	C-3420262	Rod (1440/1660)		1
	C-3440271	Rod (1860)		1
30	C-3410250	Baffle		1
31	C-GB119-76	Pin	3M6x16	1
32	TS-1534042	Screw	M6x12	2
33	C-3410240	Eccentric Shaft		1
34	C-GB117-76	Pin	4x40	1
35	C-3410440	Lever Handle		1
36	C-Z91-2	Insert Sleeve		1
37	C-3410340	Knob		1
38	C-3410350	Plug		1
39	C-3410361	Block		1
40	C-3410381	Block		1
41	C-3410370	Rod		1
42	C-GB119-76	Pin	5M6x20	1
43	C-GB117-76	Pin	5x50	1
44	C-GB119-76	Pin	4x30	1
45	C-3410392	Handle Base		1
46	C-3410430	Handle		1
47	C-Z91-2	Insert Ring	M8x20	1
48	C-3410410	Knob		1
49	TS-1534051	Screw		5
50	C-3410171	Threaded Flange		1
51	C-GB117-76	Pin	M4x20	1
55	C-3410161	Screw Rod		1
56	BB-8205	Bearing	C-7203	1
57	C-3410192	Flange		1
58	C-R71-1	Oiler		1
59	TS-1504041	Hex Socket Cap Screw	M8x20	4
60		Outer Ring		1
61	C-Q67-4A-32	Spring Leaf	50	1
62	C-3410500	Inner Ring		1
63	C-GB1096-79	Key	6x40	1

64C-3410201.....	Hand Wheel	1	
65C-3410210.....	Washer	1	
66C-GB67-76	Screw	M8x14	1
67C-1710190.....	Wheel Handle	1	
68C-1710180.....	Handle Core.....	1	
C-3630110.....	Bushing (not shown).....	1	

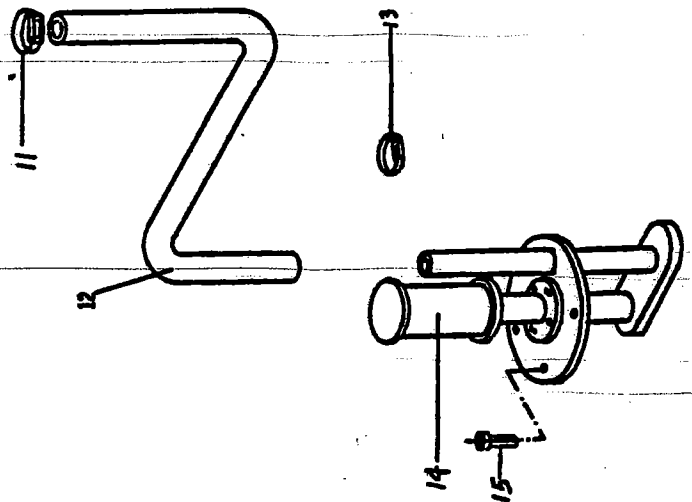
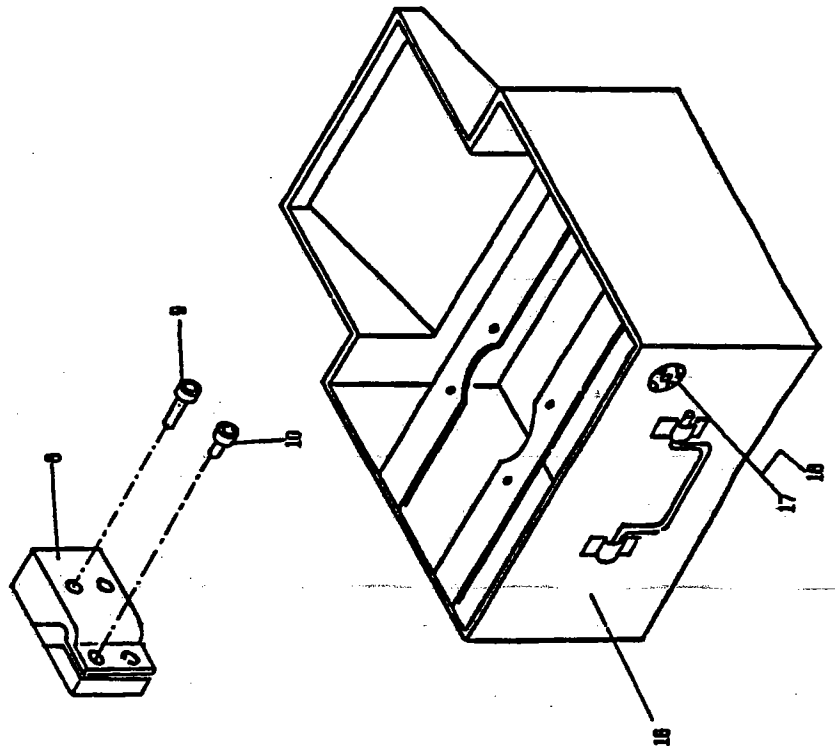
FACEPLATE ASSEMBLY



Faceplate Assembly

1C-6030120.....	Lever.....	1
2C-GB75-76.....	Screw.....	M10x25.....	4
3C-6030170.....	Base Plate.....	1
4C-6030140.....	Camlock Stud.....	1
5TS-1504031.....	Hex Socket Cap Screw.....	M8x16.....	4
6C-6230440.....	Faceplate Body.....	1

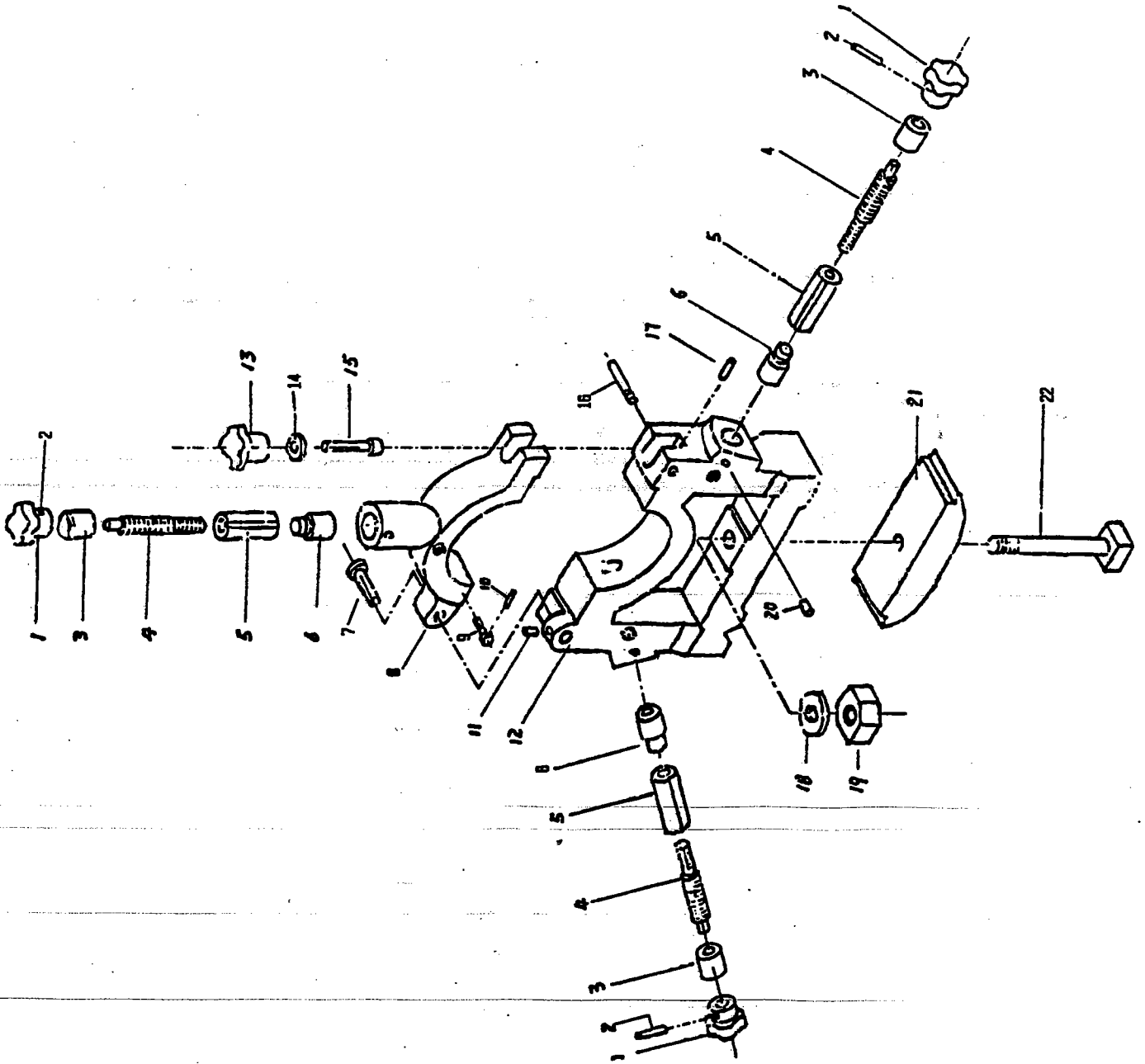
COOLANT ASSEMBLY



Coolant Assembly

8	C-6410140	Pipe Base	1
9	TS-1504071	Hex Socket Cap Screw M8x35	2
10	TS-1504041	Hex Socket Cap Screw M8x20	2
11	G-31-9	Hose Clamp	2
12	C-PUC19x2000	Coolant Hose	1
13	C-G31-9	Hose Clamp	1
14	AOB-25	Coolant Pump	1
15	TS-1503031	Hex Socket Cap Screw M6x12	4
16	C-6450100	Coolant Tank	1
17	C-6450170	Coolant Level Indicator Base	1
18	C-R51-3	Coolant Level Indicator	1

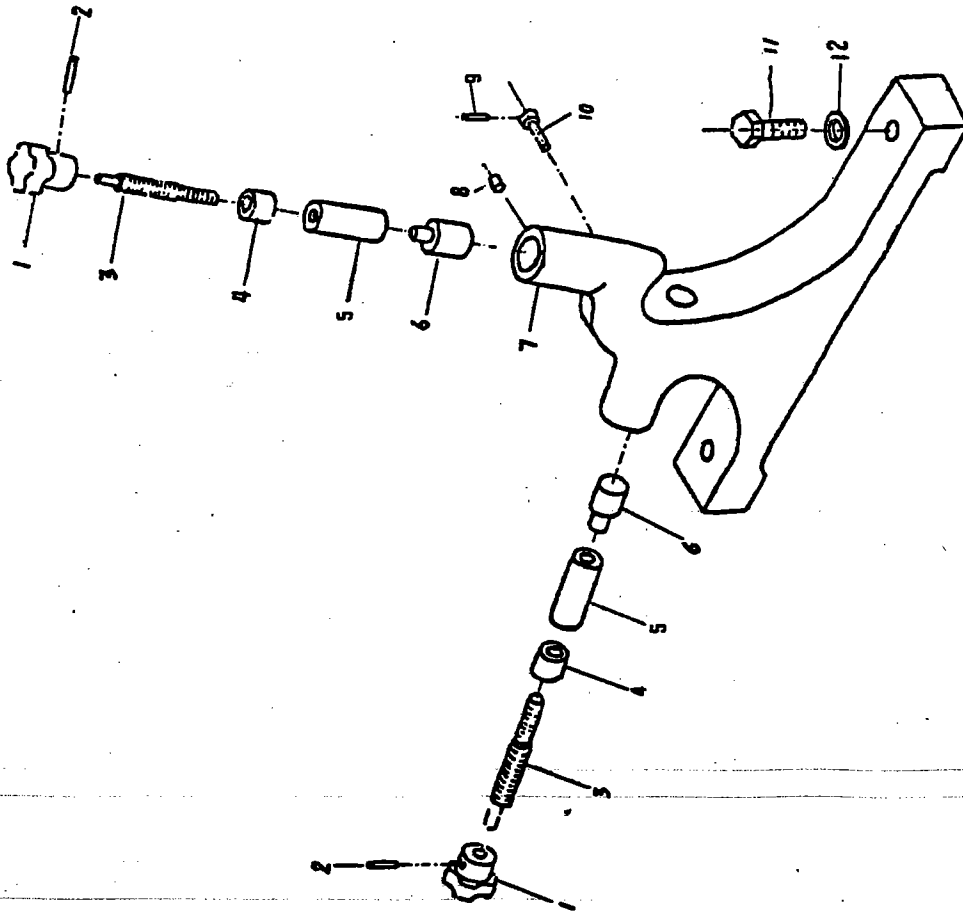
STEADY REST ASSEMBLY



Steady Rest Assembly

1C-6710200.....	Knob.....	3
C-6710210.....	Insert Sleeve (not shown).....	3
2C-GB119-76.....	Pin.....	4M6x30	3
3C-6710220.....	Screw Sleeve.....	3
4C-6710230.....	Screw Rod.....	3
5C-6710240.....	Slide Sleeve.....	3
6C-6950230.....	Push Head.....	3
7C-6710290.....	Shaft.....	1
8C-6710110.....	Upper Body (1440).....	1
C-6730300.....	Upper Body (1660).....	1
C-6750320.....	Upper Body (1860).....	1
9C-6710260.....	Stop Rod.....	1
10C-GB119-76.....	Pin.....	6M6x40	1
11C-GB71-79.....	Screw.....	M6x12	1
12C-6710160.....	Lower Body (1440).....	1
C-6730310.....	Lower Body (1660).....	1
C-6750330.....	Lower Body (1860).....	1
13C-6710130.....	Knob.....	1
C-6710140.....	Insert Sleeve (not shown).....	1
14C-GB97-76.....	Spacer.....	B12	1
15C-6710150.....	Screw Rod.....	1
16C-6710120.....	Shaft.....	1
17C-GB75-76.....	Screw.....	M6x16	1
18TS-1550111.....	Washer (1440/1660).....	M20	1
TS-1550121.....	Washer (1860).....	M24	1
19TS-1540121.....	Nut (1440/1660).....	M20	1
TS-1540231.....	Nut (1860).....	M24	1
20C-GB72-76.....	Screw.....	M10x16	1
21C-6710280.....	Pressure Plate (1440/1660).....	1
C-6750360.....	Pressure Plate (1860).....	1
22C-6710270.....	Screw Rod (1440/1660).....	1
C-6750350.....	Screw Rod (1860).....	1

FOLLOW REST ASSEMBLY

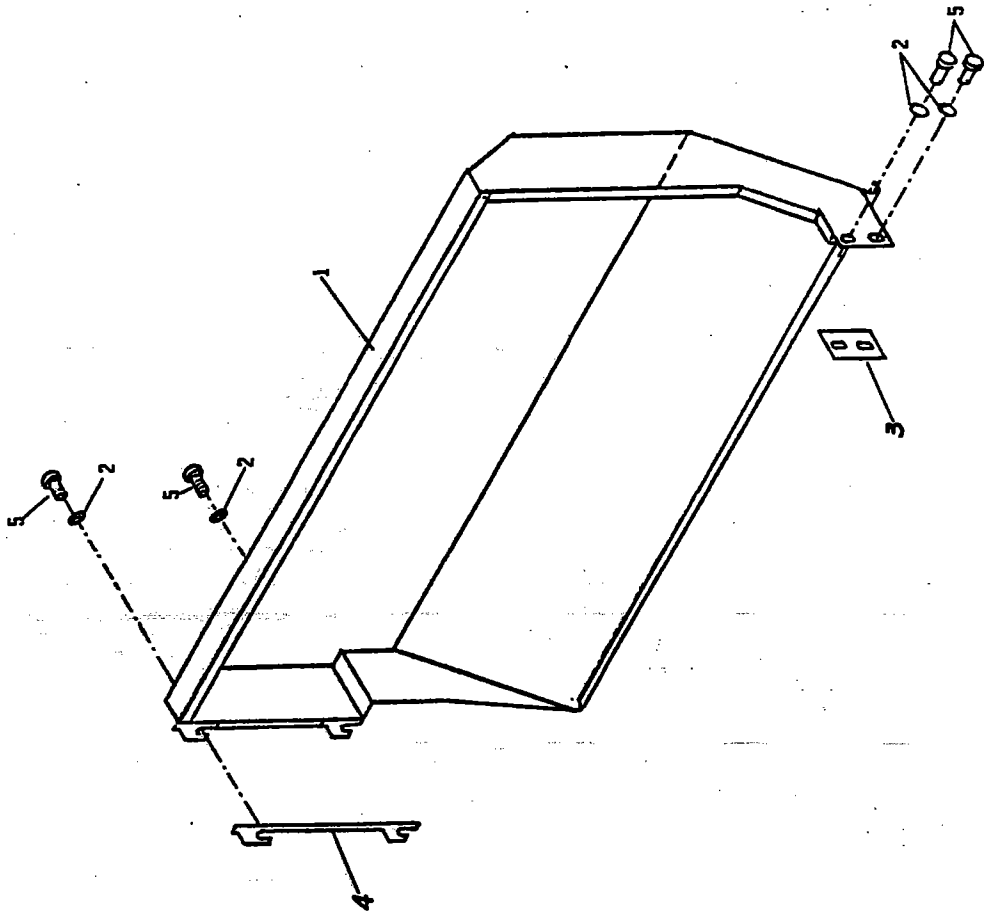


Follow Rest Assembly

1	C-6710200	Knob	2
	C-671021	Insert Ring (not shown)	2
2	C-GB119-76	Pin	2
		4M6x30	
3	C-6950210	Screw Rod	2
4	C-6710220	Screw Sleeve	2
5	C-6950220	Slide Sleeve	2
6	C-6950230	Push Head	2
7	C-6950110	Body (1440)	1
	C-6960120	Body (1660)	1
	C-6970130	Body (1860)	1
8	C-GB72-76	Screw	1
		M10x12	
9	C-GB119-76	Pin	1
		6M6x40	
10	C-6710260	Stop Rod	1
11	TS-1492061	Hex Cap Bolt	2
		M12x60	
12	TS-1550081	Washer	2
		M12	

60

BACKSPLASH ASSEMBLY



Backsplash Assembly

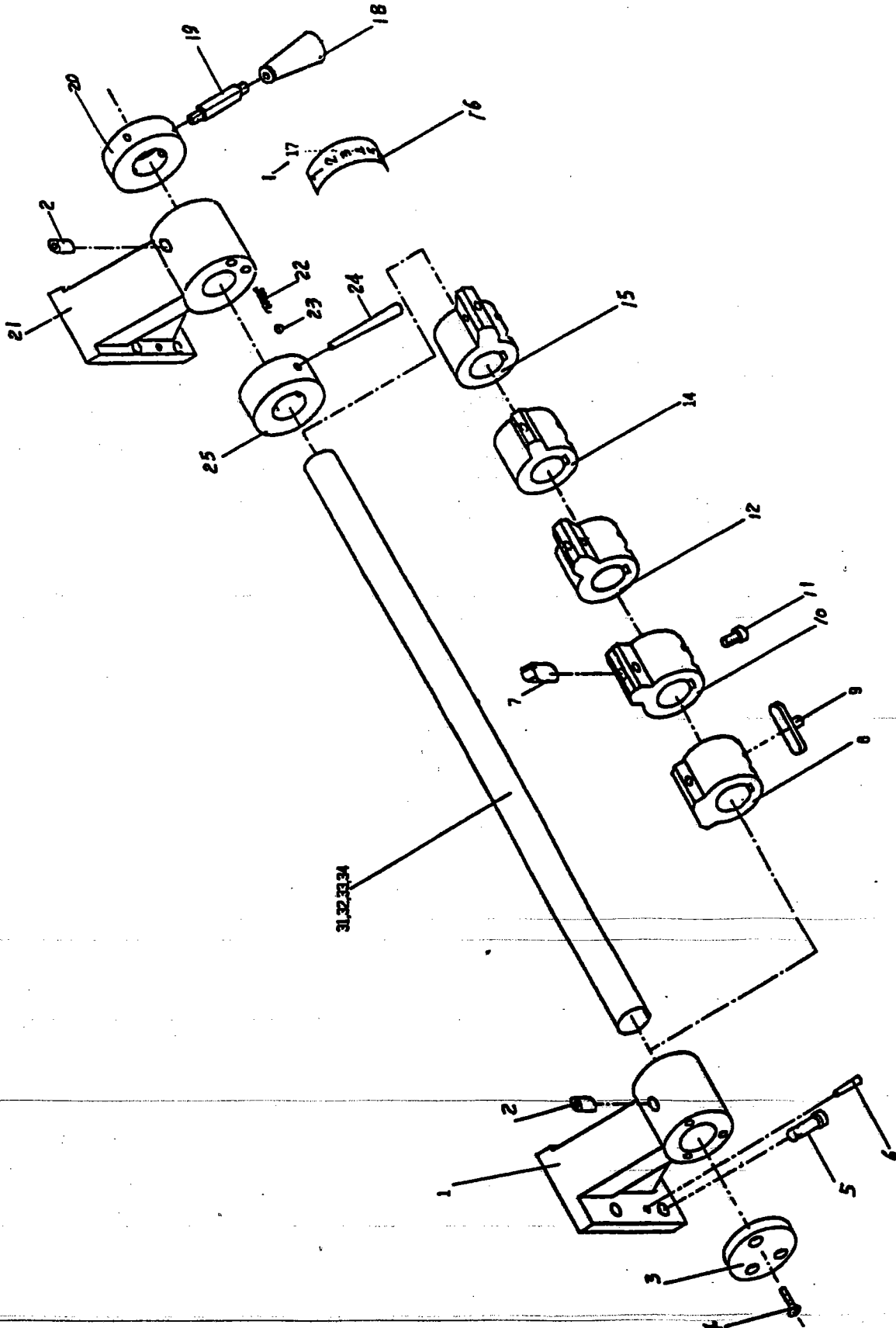
1	C-9700000A	Backsplash (1440)	1
	C-9700000B	Backsplash (1660/1860)	1
2	TS-1551041	Lock Washer M6	4
3	C-9700160	Rubber Gasket	1
4	C-9700140	Rubber Gasket	1
5	TS-1503011	Hex Socket Cap Screw M6x8	4

67

Coolant/Work Light Assembly

1	C-7910350	Pipe		1
2	C-6410140	Pipe Base		1
3	TS-1504041	Hex Socket Cap Screw	M8x20	2
4	TS-1504071	Hex Socket Cap Screw	M8x35	2
5	JR202	Soft Pipe		1
6	C-6410180	Nozzle		1
7	C-A13-45	Flexible Metal Pipe		1
8	C-6410190	Joint		1
9	C-L81-1	Union Bolt		1
10	C-7910330	On-Off Valve		1
11	C-7910320	Swing Body		1
12	C-7910260	Screw		1
13	C-7910250	Joint Sleeve		1
14	C-G51-9	O-Ring		1
15	C-7910190	Nut		1
16	C-7910210	Nut		1
17	C-7910240	Support		1
18	TS-1504042	Screw	M6x12	1
19	TS-1550041	Washer	M6	1
21	C-GB894-76	C-Clip	20	1
22	C-7910160	Chain Plate		2
23	C-7910280	Shaft		1
24	C-4210332	Socket		1
25	C-7910230	Screw		1
26	C-7910150	Link Rod		2
27	C-7910220	Screw		1
28	C-7910200	Screw		1
29	JC-11	Lamp Unit		1
30	C-4210312	Cover		1
31	C-4210322	Rubber Pad		1
32	C-7910110	Plate		1
33	TS-1540041	Nut	M6	5
34	TS-1550041	Washer	M6	5
35	TS-1534051	Screw		5
36	C-7910120	Plate		1
37	C-7910300	Spacer		1
38	C-7910290	Spacing Collar		1
39	C-GB867-76	Pin	4x30	2
40	C-7910131	Link Rod		1
41	TS-1534041	Screw	M6x12	1
42	TS-1550041	Washer	M6	1
43	C-Q81-3	Spring		1
44	C-7910140	Link Rod		1
45	C-791027	Spacing Collar		1
46	C-7910180	Spacing Collar		1
47	C-7910170	Spacing Collar		1
48	C-GB867-76	Rivet	4x30	1
49	C-7910310	Nut		1

CARRIAGE STOP ASSEMBLY

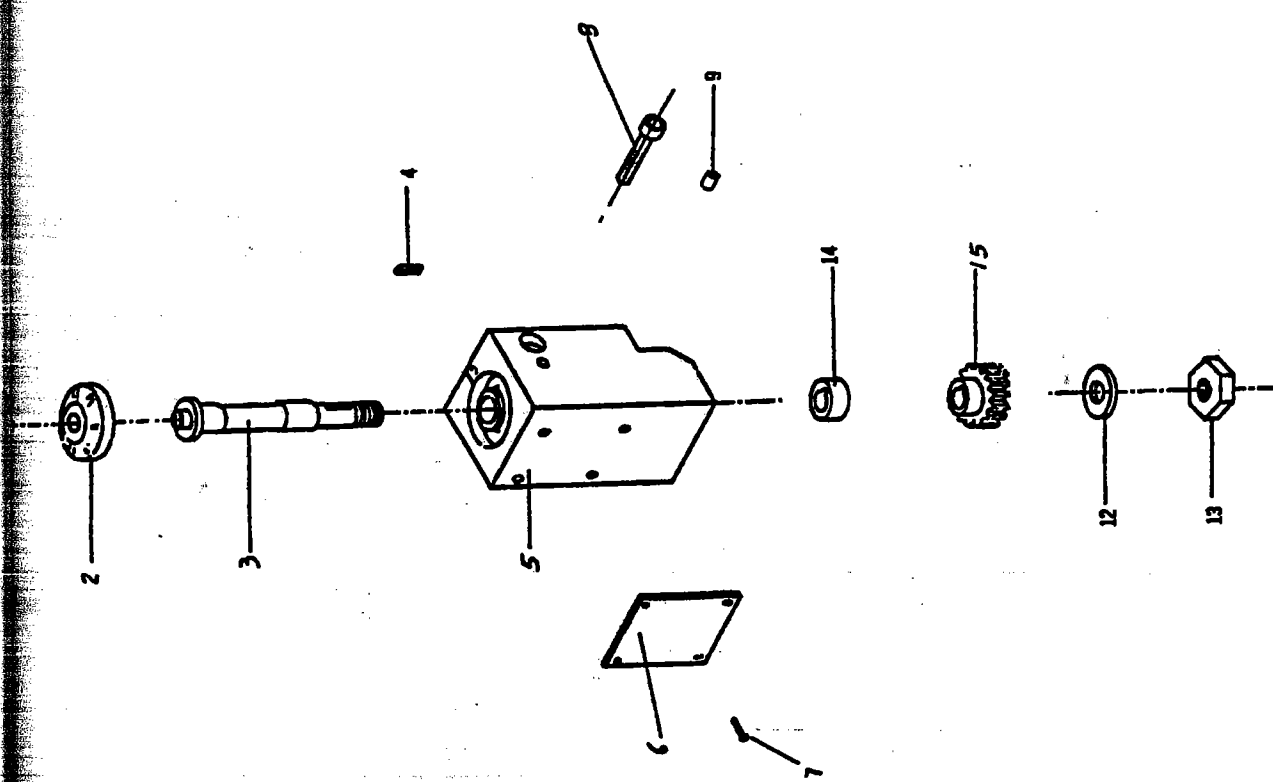


105

Carriage Stop Assembly

1	C-8010121	Bracket	1
2	C-R71-1	Oiler	2
3	C-8010110	Cover	1
4	TS-1533051	Screw	3
		M5x16	
5	TS-1504031	Hex Socket Cap Screw	8
		M8x16	
6	C-GB118-76	Pin	4
		8x25	
7	C-8050130	Touch Block	5
	C-GB812-86	Jam Nut (not shown)	5
8	C-8050140	Sleeve	1
9	C-8010301	Slide Key	5
10	C-8050150	Sleeve	1
11	TS-1504011	Hex Socket Cap Screw	5
		M8x10	
12	C-8050170	Sleeve	1
14	C-8050180	Sleeve	1
15	C-8010181	Sleeve	1
16	C-8010240	Label	1
17	C-GB67-76	Rivet	2
18	C-8010210	Handle	1
19	C-8010200	Lever Rod	1
20	C-8010221	Sleeve	1
21	C-8010231	Holder	1
22	C-Q81-1	Spring	1
23	C-Q29-1	Steel Ball	1
		7.938	
24	C-GB117-76	Taper Pin	1
		6x60	
25	C-8010191	Sleeve	1
31-34	C-8030271	Shaft (1440)	1
	C-8040281	Shaft (1660/1860)	1

THREAD CUTTING DIAL



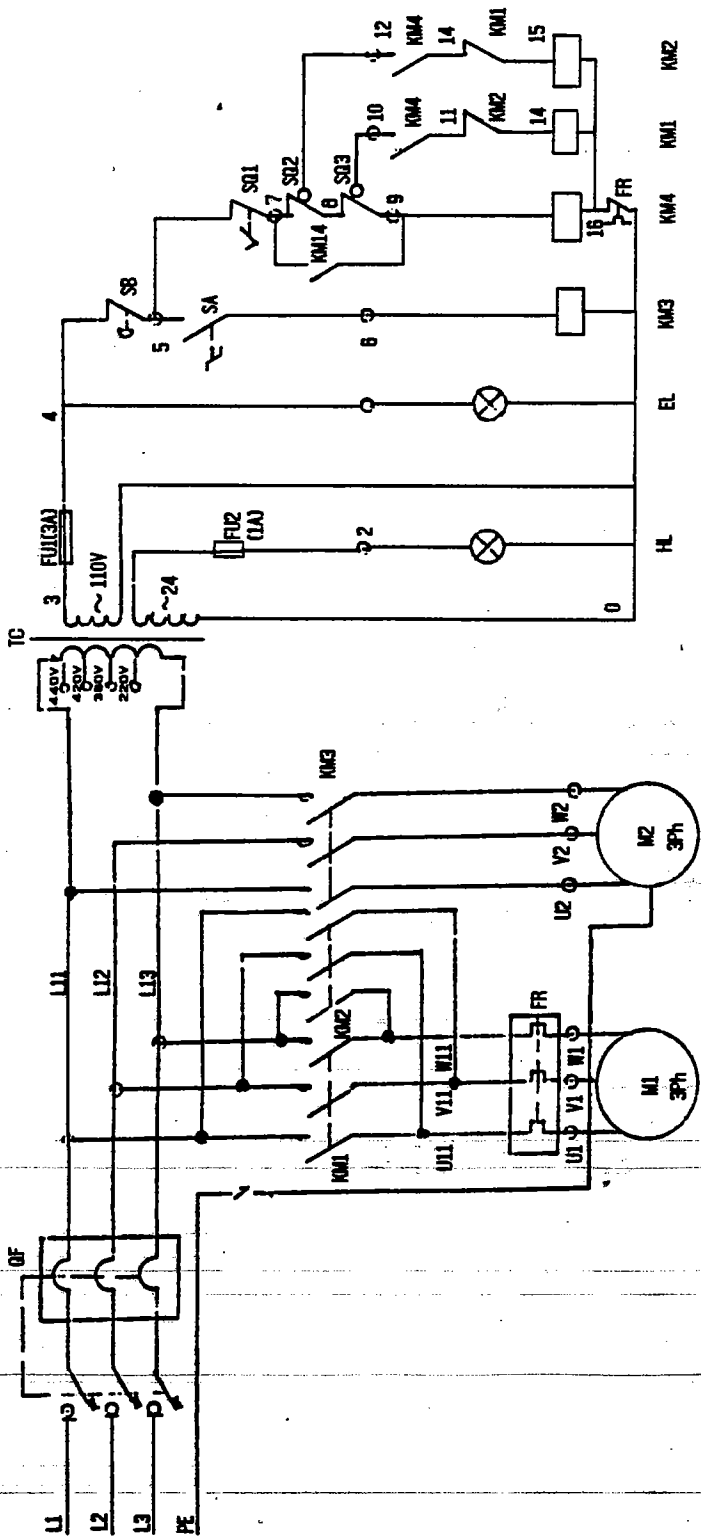
Thread Cutting Dial Assembly

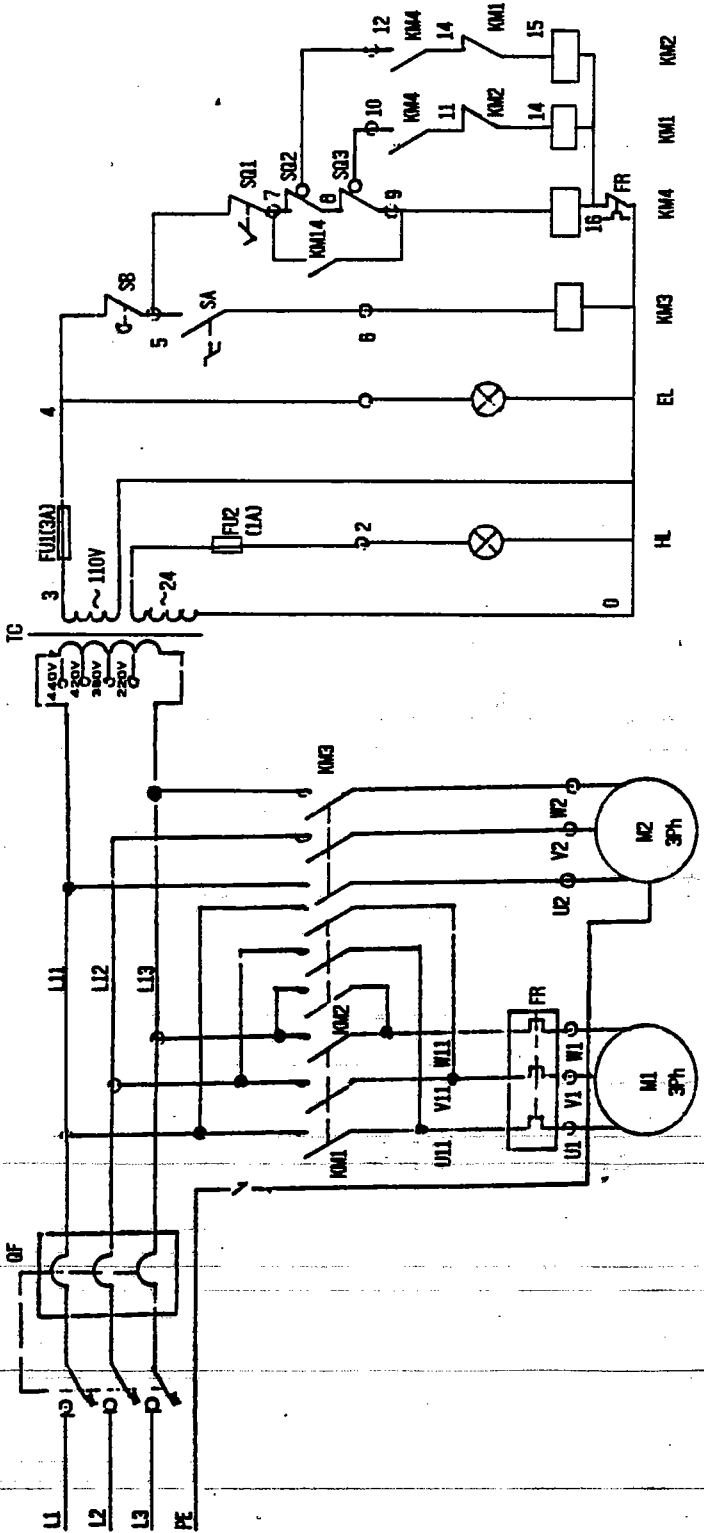
1	C-8110160	Screw		1
2	C-8110170	Scale Plate		1
3	C-8110150	Shaft		1
4	C-GB1096-76	Key	4x16	1
5	C-8120120	Main Body		1
6	C-8130220	Label		1
7	C-GB867-76	Rivet	2x4	4
8	TS-1504121	Hex Socket Cap Screw	M8x60	1
9	C-R71-1	Oiler	6	1
12	TS-1550081	Washer	M12	1
13	TS-1540083	Nut	M12x1.25	1
14	C-8110200	Bushing		1
15	C-8110211	Gear		1

108

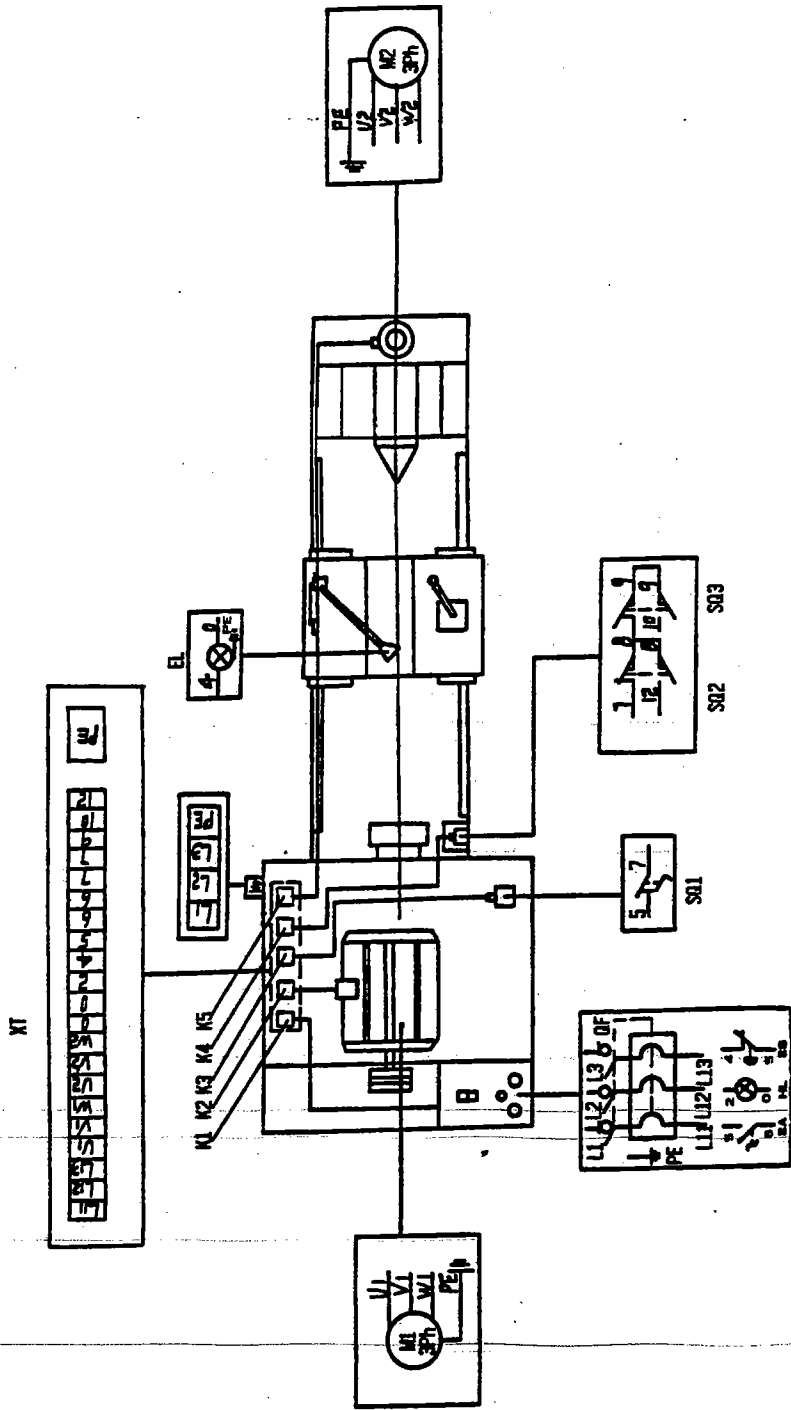
11

ELECTRICAL SCHEMATIC

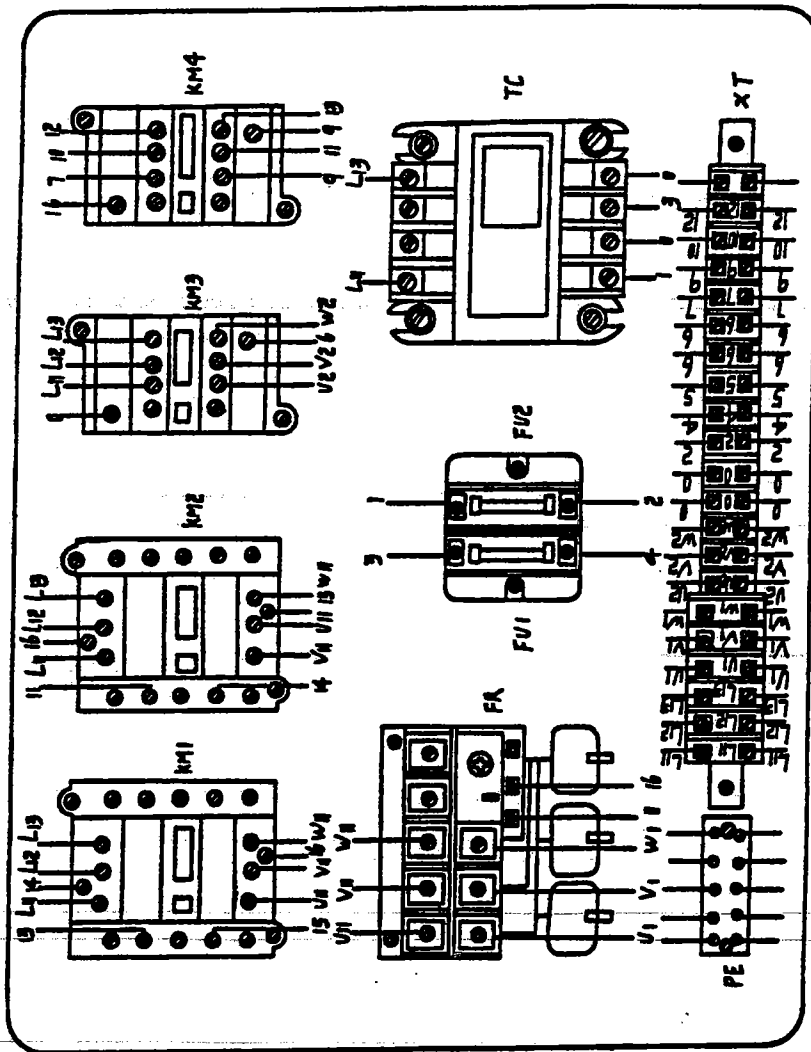




ELECTRICAL SCHEMATIC



ELECTRIC PANEL SCHEMATIC



Electrical Panel

QF	C-AM130	Main On-Off Switch.....	32A.....	1
TC.....	C-BK-150.....	Transformer	0AG1.....	1
KM1	C-3TB4317-1.....	Forward Magnetic Starter	0AG1.....	1
KM2	C-3TB4317-2.....	Reverse Magnetic Starter	0AG1.....	1
KM3	C-3TH82440EG1.....	Coolant Pump Magnetic Starter.....	0EG1.....	1
KM4	C-3TH82440EG1.....	Magnetic Controller.....	0EG1.....	1
HL.....	C-XDX/-W-A.....	Power Indicator Assy	24V.....	1
HL.....	C-JC-11TH	Work Light.....	110V.....	1
FU1.....	C-BZ003ATH.....	Fuse.....	3A.....	1
FU2.....	C-BZ001ATH.....	Fuse.....	1A.....	1
SK1.....	C-LAY3-01X/2	Button.....		1
SQ1	C-LAY3-01ZS/1	Emergency Switch		1
SQ2	C-LAY-112S/1	Forward Micro Switch		1
SQ3	C-JW2-11Z/3TH	Reverse Micro Switch		1
SB.....	C-JLXK-411.....	Foot Brake Switch.....		1
M1	C-Y132S-4TH.....	Main Motor		1
M2	C-A0B-25.....	Coolant Pump Motor		1
	C-E04	Coolant Pump Switch.....		1
FR1.....	C-RCA3737	Thermal Relay		1
	C-AM130	Main Power Switch		1

Note: The electrical schematic shows the work light connected to the transformer. This has been changed. The work light is no longer connected to the transformer and is powered by its own 115V power cord.

C-JW2-11Z/3TH